

PROFILES 9707

Base Specifications:

18"h x 8"w x 4"d

10: WRL - 2 x E26 - for LED retro 20W max ea

Opal Acrylic Diffuser

ADA

Notes:

Horizontal mounting available

9707				
MODEL	FINISH	DIFFUSER	LAMPING	VOLTAGE

Note of Modifications

BA - Bronze Age
 BK - Black
 BP - Black Pearl
 CB - Cast Bronze
 CH - Chestnut
 CR - Chrome
 DI - Dark Iron
 EB - Empire Bronze
 MB - Medieval Bronze
 NB - New Brass
 SB - Smokey Brass
 SP - Satin Pewter
 SS - Smoked Silver

PREMIUM
 ANI - Ancient Iron

OA - Opal
 PREMIUM
 CO - Caramel Onyx
 FA - Faux Alabaster
 TS - Tea Stained
 WS - White Swirl
 BB - Bay Blue
 MP - Majestic Purple
 SG - Savannah Green
 SO - Sunrise Orange
 SR - Sunset Red

02: Wet Loc - LED - 8.4W
 (Std Phase Dim) - 1181 Lumens
 03: Incan - 2 x E26 - 60W max ea
 04: LED - 7.4W
 (Non-Dim or Dim w/ 0-10V Dim system)
 1160 Lumens
 10: WRL - 2 x E26 - for LED Retro
 20W max ea

02: 120V
 03: 120V
 04: Universal
 10: 120V

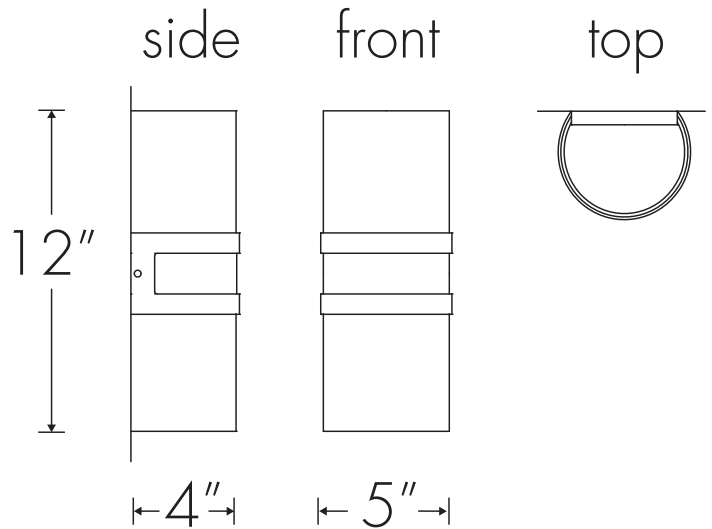
COLOR TEMPERATURE

- 3000K (Standard)
- 2700K
- 3500K
- 4000K

Project Name

Specifier Name
Specifier Location

Quantity



PROFILES 9707L12

Base Specifications:

12" h x 5" w x 4" d

03: Incan - 2 x E12 candelabra - 60W max ea

Opal Acrylic Diffuser

ADA

Notes:

Horizontal mounting available

9707L12				
MODEL	FINISH	DIFFUSER	LAMPING	VOLTAGE

Note of Modifications

- BA - Bronze Age
- BK - Black
- BP - Black Pearl
- CB - Cast Bronze
- CH - Chestnut
- CR - Chrome
- DI - Dark Iron
- EB - Empire Bronze
- MB - Medieval Bronze
- NB - New Brass
- SB - Smokey Brass
- SP - Satin Pewter
- SS - Smoked Silver

- PREMIUM
- ANI - Ancient Iron

- OA - Opal Acrylic
- PREMIUM
- CO - Caramel Onyx
- FA - Faux Alabaster
- TS - Tea Stained
- WS - White Swirl

- 02: Wet Loc - LED - 8.4W
(Std Phase Dim) - 1181 Lumens
- 03: Incan - 2 x E12 candelabra
60W max
- 04: LED - 5W
(Non-Dim or Dim w/ 0-10V Dim system)
770 Lumens

- 02: 120V
- 03: 120V
- 04: Universal

COLOR TEMPERATURE

- 3000K (Standard)
- 2700K
- 3500K
- 4000K

Project Name

Specifier Name
Specifier Location

Quantity