

CLASSICS 9135

Base Specifications:

13.75"h x 8.75"w x 7"d

01: Wet Loc - Incan - 1 x E26 - 60W max

Opal Acrylic Diffuser

Notes:

Horizontal mounting available

9135				
MODEL	FINISH	DIFFUSER	LAMPING	VOLTAGE

Note of Modifications

- BA - Bronze Age
- BK - Black
- BP - Black Pearl
- CB - Cast Bronze
- CH - Chestnut
- CR - Chrome
- DI - Dark Iron
- EB - Empire Bronze
- MB - Medieval Bronze
- NB - New Brass
- SB - Smokey Brass
- SP - Satin Pewter
- SS - Smoked Silver

- PREMIUM
- ANI - Ancient Iron
 - BCP - Burlled Copper Plate
 - RCU - Raw Copper Unfinished

- OA - Opal
- PREMIUM
- CO - Caramel Onyx
- FA - Faux Alabaster
- TS - Tea Stained
- WS - White Swirl

- 01: Wet Loc - Incan - 1 x E26
60W max
- 02: Wet Loc - LED - 8.4W
(Std Phase Dim) - 1181 Lumens
- 03: Incan - 1 x E26 - 60W max
- 04: LED - 7.4W
(Non-Dim or Dim w/ 0-10V Dim system)
1160 Lumens
- 10: WRL - 1 x E26 - for LED Retro
20W max

- 01: 120V
- 02: 120V
- 03: 120V
- 04: Universal
- 10: 120V

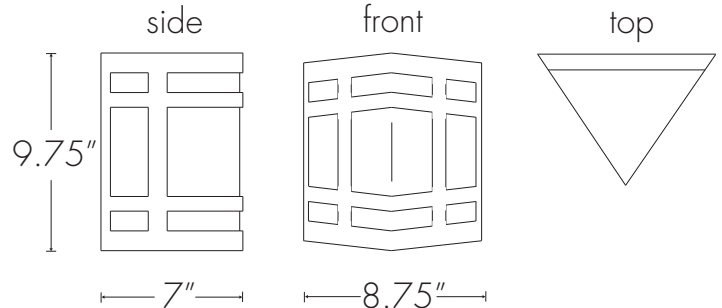
COLOR TEMPERATURE

- 3000K (Standard)
- 2700K
- 3500K
- 4000K

Project Name

Specifier Name
Specifier Location

Quantity



CLASSICS 9135L10

Base Specifications:

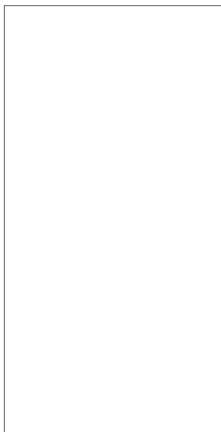
9.75"h x 8.75"w x 7"d

01: Wet Loc - Incan - 1 x E26 - 60W max

Opal Acrylic Diffuser

9135L10				
MODEL	FINISH	DIFFUSER	LAMPING	VOLTAGE

Note of Modifications



- BA - Bronze Age
- BK - Black
- BP - Black Pearl
- CB - Cast Bronze
- CH - Chestnut
- CR - Chrome
- DI - Dark Iron
- EB - Empire Bronze
- MB - Medieval Bronze
- NB - New Brass
- SB - Smokey Brass
- SP - Satin Pewter
- SS - Smoked Silver

- PREMIUM
- ANI - Ancient Iron
- BCP - Burlled Copper Plate
- RCU - Raw Copper Unfinished

- OA - Opal
- PREMIUM
- CO - Caramel Onyx
- FA - Faux Alabaster
- TS - Tea Stained
- WS - White Swirl

- 01: Wet Loc - Incan - 1 x E26
60W max
- 02: Wet Loc - LED - 8.4W
(Std Phase Dim) - 1181 Lumens
- 03: Incan - 1 x E26 - 60W max
- 04: LED - 5W
(Non-Dim or Dim w/ 0-10V Dim system)
770 Lumens
- 10: WRL - 1 x E26 - for LED Retro
20W max

- 01: 120V
- 02: 120V
- 03: 120V
- 04: Universal
- 10: 120V

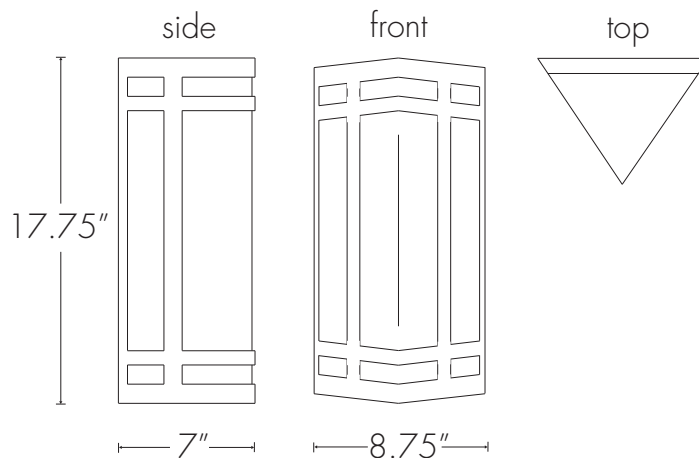
COLOR TEMPERATURE

- 3000K (Standard)
- 2700K
- 3500K
- 4000K

Project Name

Specifier Name
Specifier Location

Quantity



CLASSICS 9135L18

Base Specifications:

17.75"h x 8.75"w x 7"d

01: Wet Loc - Incan - 2 x E26 - 60W max ea

Opal Acrylic Diffuser

Notes:

Horizontal mounting available

9135L18	-		-		-			
MODEL		FINISH		DIFFUSER		LAMPING		VOLTAGE

Note of Modifications

- BA - Bronze Age
- BK - Black
- BP - Black Pearl
- CB - Cast Bronze
- CH - Chestnut
- CR - Chrome
- DI - Dark Iron
- EB - Empire Bronze
- MB - Medieval Bronze
- NB - New Brass
- SB - Smokey Brass
- SP - Satin Pewter
- SS - Smoked Silver

- PREMIUM
- ANI - Ancient Iron
 - BCP - Burlled Copper Plate
 - RCU - Raw Copper Unfinished

- OA - Opal
- PREMIUM
- CO - Caramel Onyx
- FA - Faux Alabaster
- TS - Tea Stained
- WS - White Swirl

- 01: Wet Loc - Incan - 2 x E26
60W max ea
- 02: Wet Loc - LED - 8.4W
(Std Phase Dim) - 1181 Lumens
- 03: Incan - 2 x E26 - 60W max
- 04: LED - 7.4W
(Non-Dim or Dim w/ 0-10V Dim system)
1160 Lumens
- 10: WRL - 2 x E26 - for LED Retro
20W max
- EM: Emercengy Pack

- 01: 120V
- 02: 120V
- 03: 120V
- 04: Universal
- 10: 120V
- EM: Universal

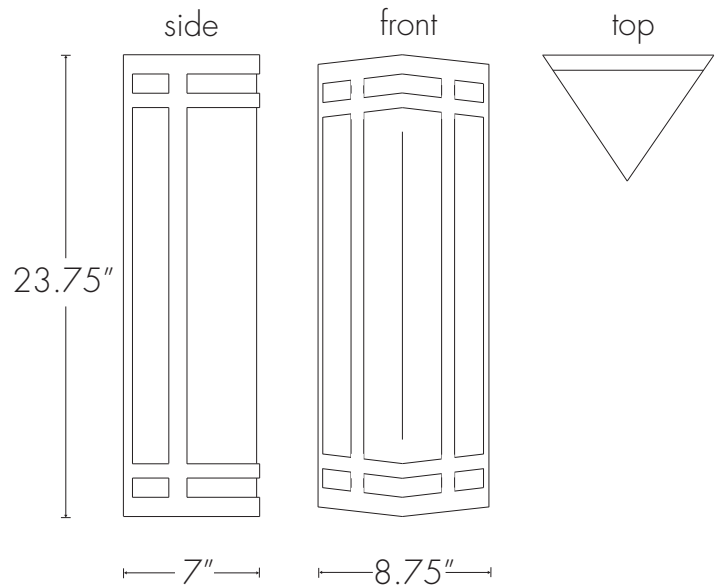
COLOR TEMPERATURE

- 3000K (Standard)
- 2700K
- 3500K
- 4000K

Project Name

Specifier Name
Specifier Location

Quantity



CLASSICS 9135L24

Base Specifications:

23.75"h x 8.75"w x 7"d

01: Wet Loc - Incan - 2 x E26 - 60W max ea

Opal Acrylic Diffuser

Notes:

Horizontal mounting available

9135L24	-		-		-			
MODEL		FINISH		DIFFUSER		LAMPING		VOLTAGE

Note of Modifications

BA - Bronze Age
 BK - Black
 BP - Black Pearl
 CB - Cast Bronze
 CH - Chestnut
 CR - Chrome
 DI - Dark Iron
 EB - Empire Bronze
 MB - Medieval Bronze
 NB - New Brass
 SB - Smokey Brass
 SP - Satin Pewter
 SS - Smoked Silver

PREMIUM
 ANI - Ancient Iron
 BCP - Burlled Copper Plate
 RCU - Raw Copper Unfinished

OA - Opal

 PREMIUM
 CO - Caramel Onyx
 FA - Faux Alabaster
 TS - Tea Stained
 WS - White Swirl

01: Wet Loc - Incan - 2 x E26
 60W max ea
 02: Wet Loc - LED - 16.8W
 (Std Phase Dim) - 2362 Lumens
 03: Incan - 2 x E26 - 60W max
 04: LED - 14.8W
 (Non-Dim or Dim w/ 0-10V Dim system)
 2320 Lumens
 10: WRL - 2 x E26 - for LED Retro
 20W max
 EM: Emercengy Pack

01: 120V
 02: 120V
 03: 120V
 04: Universal

 10: 120V
 EM: Universal

COLOR TEMPERATURE

- 3000K (Standard)
- 2700K
- 3500K
- 4000K

Project Name

Specifier Name
Specifier Location

Quantity