

CLASSICS 9131

Base Specifications:

11.75"h x 5.75"w x 4"d

04: LED - 5W (Dim w/ 0-10V dim system)

Opal Acrylic Diffuser

ADA

Notes:

Horizontal mounting available

9131				
MODEL	FINISH	DIFFUSER	LAMPING	VOLTAGE

Note of Modifications

- BA - Bronze Age
- BK - Black
- BP - Black Pearl
- CB - Cast Bronze
- CH - Chestnut
- CR - Chrome
- DI - Dark Iron
- EB - Empire Bronze
- MB - Medieval Bronze
- NB - New Brass
- SB - Smokey Brass
- SP - Satin Pewter
- SS - Smoked Silver

- PREMIUM
- ANI - Ancient Iron
 - BCP - Burlled Copper Plate
 - RCU - Raw Copper Unfinished

- OA - Opal
- PREMIUM
- CO - Caramel Onyx
- FA - Faux Alabaster
- TS - Tea Stained
- WS - White Swirl

- 02: Wet Loc - LED - 8.4W
(Std Phase Dim) - 1181 Lumens
- 04: LED - 5W
(Non-Dim or Dim w/ 0-10V Dim system)
770 Lumens
- 10: WRL - 1 x E26 - for LED Retro
20W max (T-10)

- 02: 120V
- 04: Universal
- 10: 120V

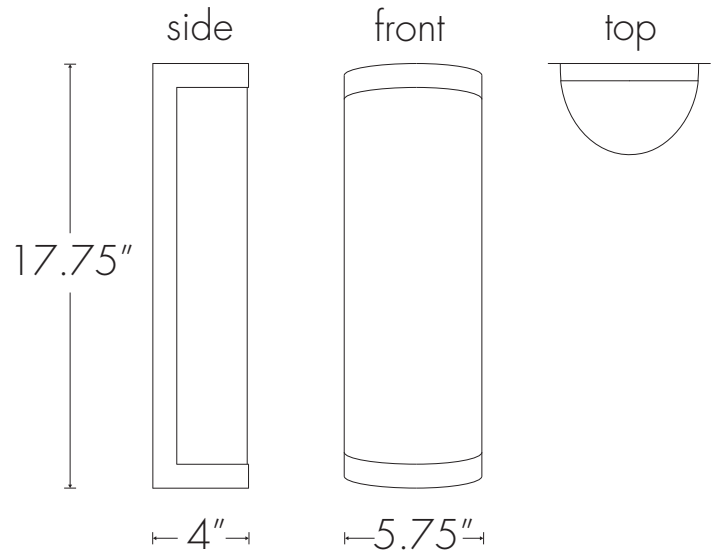
COLOR TEMPERATURE

- 3000K (Standard)
- 2700K
- 3500K
- 4000K

Project Name

Specifier Name
Specifier Location

Quantity



CLASSICS 9131L18

Base Specifications:

17.75" h x 5.75" w x 4" d

04: LED - 7.4W (Dim w/ 0-10V dim system)

Opal Acrylic Diffuser

ADA

Notes:

Horizontal mounting available

Shown in: Dark Iron / Faux Alabaster

9131L18	-		-		-		-	
MODEL		FINISH		DIFFUSER		LAMPING		VOLTAGE

Note of Modifications

- BA - Bronze Age
- BK - Black
- BP - Black Pearl
- CB - Cast Bronze
- CH - Chestnut
- CR - Chrome
- DI - Dark Iron
- EB - Empire Bronze
- MB - Medieval Bronze
- NB - New Brass
- SB - Smokey Brass
- SP - Satin Pewter
- SS - Smoked Silver

- PREMIUM
- ANI - Ancient Iron
 - BCP - Burlled Copper Plate
 - RCU - Raw Copper Unfinished

- OA - Opal
- PREMIUM
- CO - Caramel Onyx
- FA - Faux Alabaster
- TS - Tea Stained
- WS - White Swirl

- 02: Wet Loc - LED - 8.4W
(Std Phase Dim) - 1181 Lumens
- 04: LED - 7.4W
(Non-Dim or Dim w/ 0-10V Dim system)
1160 Lumens
- 10: WRL - 1 x E26 - for LED Retro
20W max (T-10)
- EM: Emergency Pack

- 02: 120V
- 04: Universal
- 10: 120V
- EM: Universal

COLOR TEMPERATURE

- 3000K (Standard)
- 2700K
- 3500K
- 4000K

Project Name

Specifier Name
Specifier Location

Quantity