



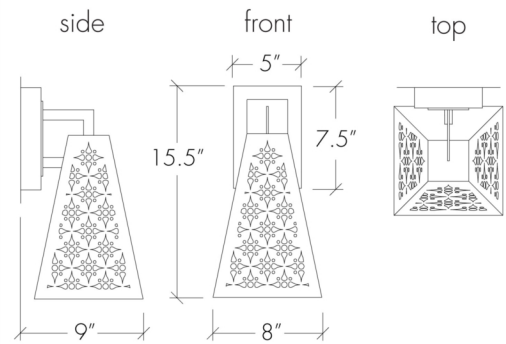
## Akūt 22503-16

project name:	<input type="text"/>
project location:	<input type="text"/>
specifier name:	<input type="text"/>
specifier location:	<input type="text"/>
quantity:	<input type="text"/>
fixture type:	<input type="text"/>

modifications:

### Base Specs

15.5"h x 8"w x 9"d





## Akūt 22503-16

### standard finish:

BA - Bronze Age  
BK - Black  
BP - Black Pearl  
CB - Cast Bronze  
CH - Chestnut  
CR - Chrome  
DI - Dark Iron  
EB - Empire Bronze  
MB - Medieval Bronze  
NB - New Brass  
SB - Smokey Brass  
SP - Satin Pewter  
SS - Smoked Silver

### lampping:

**03:** Incandescent, 1 x E26 - 60W max ea, A-Type, 120V, Standard Phase Dimming, UL/cUL Dry/Damp

**10:** Wattage Restriction Label - 1 x E26 for LED Retrofit 20W max ea - A-Type, 120V, Standard Phase Dimming, UL/cUL Dry/Damp





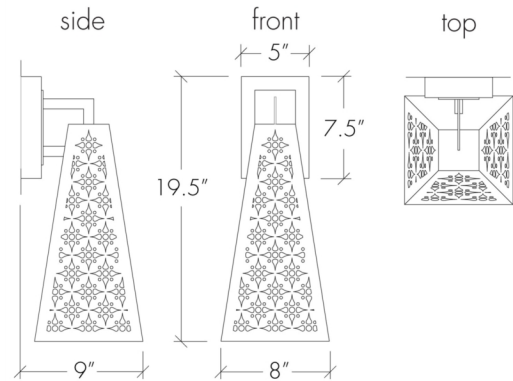
## Akūt 22503-20

project name:	<input type="text"/>
project location:	<input type="text"/>
specifier name:	<input type="text"/>
specifier location:	<input type="text"/>
quantity:	<input type="text"/>
fixture type:	<input type="text"/>

modifications:

### Base Specs

19.5"h x 8"w x 9"d





## Akūt 22503-20

### standard finish:

BA - Bronze Age  
BK - Black  
BP - Black Pearl  
CB - Cast Bronze  
CH - Chestnut  
CR - Chrome  
DI - Dark Iron  
EB - Empire Bronze  
MB - Medieval Bronze  
NB - New Brass  
SB - Smokey Brass  
SP - Satin Pewter  
SS - Smoked Silver

### lampping:

**03:** Incandescent, 1 x E26 - 60W max ea, A-Type, 120V, Standard Phase Dimming, UL/cUL Dry/Damp

**10:** Wattage Restriction Label - 1 x E26 for LED Retrofit 20W max ea - A-Type, 120V, Standard Phase Dimming, UL/cUL Dry/Damp

