



Cylo 21475

project name:

project location:

specifier name:

specifier location:

quantity:

fixture type:

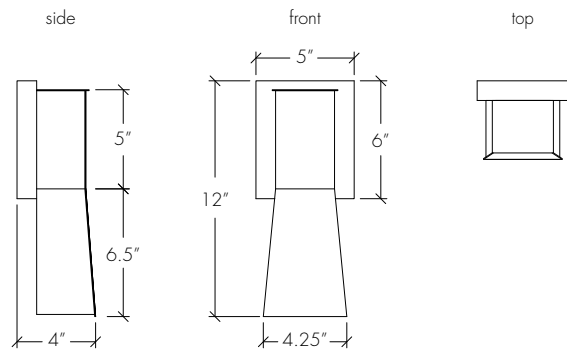
modifications:

Base Specs

12" h x 5" w x 4" d
 Dark Sky
 ADA

Notes

- Uplight Mount available — Inquire.
- Marine grade primer available — Inquire.
- Shown in: Dark Iron / Dark Iron / Opal





Cylo 21475

finish (body):

- BA - Bronze Age
- BK - Black
- BP - Black Pearl
- CB - Cast Bronze
- CH - Chestnut
- CR - Chrome
- DI - Dark Iron
- EB - Empire Bronze
- MB - Medieval Bronze
- NB - New Brass
- SB - Smokey Brass
- SP - Satin Pewter
- SS - Smoked Silver
- WH - White

finish (belt):

- BA - Bronze Age
- BK - Black
- BP - Black Pearl
- CB - Cast Bronze
- CH - Chestnut
- CR - Chrome
- DI - Dark Iron
- EB - Empire Bronze
- MB - Medieval Bronze
- NB - New Brass
- SB - Smokey Brass
- SP - Satin Pewter
- SS - Smoked Silver
- WH - White

diffuser:

- OA - Opal Acrylic

lampping:

- 02: 8.4W Integrated LED, 1181 Initial Lumens, 3000K, 80 CRI, 120V, Standard Phase Dimming, UL/cUL Wet
Alternative color temperatures and CRI options available — Inquire.
- 04: 8.4W Integrated LED, 1181 Initial Lumens, 3000K, 80 CRI, 120V-277V, 0-10V Dimming, UL/cUL Dry/Damp
Alternative color temperatures and CRI options available — Inquire.
- 14: 8.4W Integrated LED, 1181 Initial Lumens, 3000K, 80 CRI, 120V, Standard Phase Dimming, UL/cUL Dry/Damp
Alternative color temperatures and CRI options available — Inquire.

