



Cylo 21474

project name:

project location:

specifier name:

specifier location:

quantity:

fixture type:

modifications:

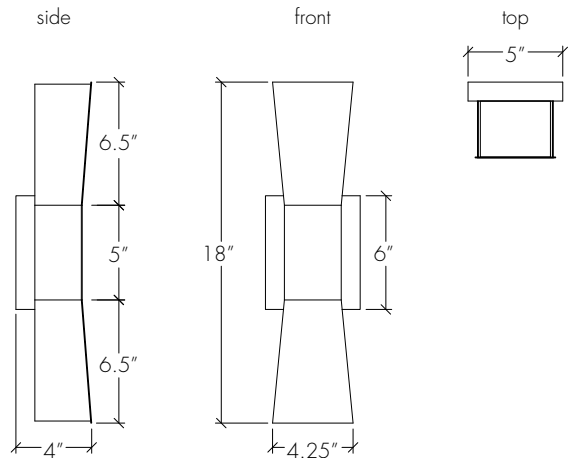
Base Specs

18" h x 5" w x 4" d

ADA

Notes

- Horizontal Mount Available — Inquire.
- Shown in: Black Pearl / New Brass / Opal





Cylo 21474

finish (body):

- | | |
|----------------------|--------------------|
| BA - Bronze Age | NB - New Brass |
| BK - Black | SB - Smokey Brass |
| BP - Black Pearl | SP - Satin Pewter |
| CB - Cast Bronze | SS - Smoked Silver |
| CH - Chestnut | WH - White |
| CR - Chrome | |
| DI - Dark Iron | |
| EB - Empire Bronze | |
| MB - Medieval Bronze | |

lampping:

- 04: 16.8W Integrated LED, 2362 Initial Lumens, 3000K, 80 CRI, 120V-277V, 0-10V Dimming, UL/cUL Dry/Damp
Alternative color temperatures and CRI options available — Inquire.
- 14: 16.8W Integrated LED, 2362 Initial Lumens, 3000K, 80 CRI, 120V, Standard Phase Dimming, UL/cUL Dry/Damp
Alternative color temperatures and CRI options available — Inquire.

finish (belt):

- | | |
|----------------------|--------------------|
| BA - Bronze Age | NB - New Brass |
| BK - Black | SB - Smokey Brass |
| BP - Black Pearl | SP - Satin Pewter |
| CB - Cast Bronze | SS - Smoked Silver |
| CH - Chestnut | WH - White |
| CR - Chrome | |
| DI - Dark Iron | |
| EB - Empire Bronze | |
| MB - Medieval Bronze | |

diffuser:

- OA - Opal Acrylic

