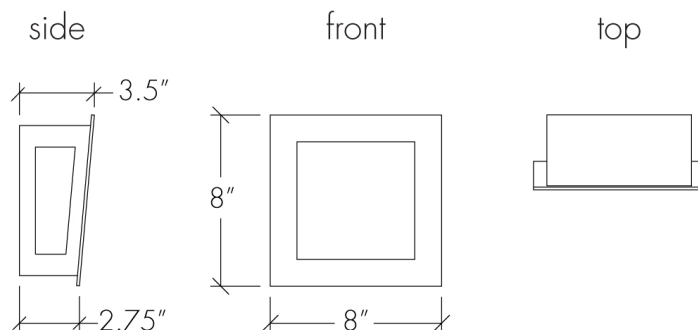


# ULTRALIGHTS



## EO 20444

Complies with Americans with Disabilities Act

### Base Specifications:

8"square x 3.5"d  
 04: LED - 8.4W (Dim w/ 0-10V dim system)  
 Opal Acrylic Diffuser  
 ADA

### Notes:

04 / 14 Lamping: Wattage and Lumens - Initial at the source

<b>20444</b>	-	-	-
<b>MODEL</b>		<b>FINISH</b>	<b>DIFFUSER</b>

**Modifications:**

- BA - Bronze Age
- BK - Black
- BP - Black Pearl
- CB - Cast Bronze
- CH - Chestnut
- CR - Chrome
- DI - Dark Iron
- EB - Empire Bronze
- MB - Medieval Bronze
- NB - New Brass
- SB - Smokey Brass
- SP - Satin Pewter
- SS - Smoked Silver

- OA - Opal
- PREMIUM
- CO - Caramel Onyx
- FA - Faux Alabaster
- TS - Tea Stained
- WS - White Swirl

- 04: Dry / Damp LED - 8.4W - 1181 Lumens (Non-Dim or Dim w/ 0-10V Dim system) - Universal
- 14: Dry / Damp LED - 8.4W - 1181 Lumens (Dim w/ Std Phase Dim) - 120V

### COLOR TEMPERATURE / CRI

- 3000K (Standard) - CRI available upon request
- 2700K - CRI available upon request
- 3500K - CRI available upon request
- 4000K - CRI available upon request

Project Name:  
Project Location:

Specifier Name:  
Specifier Location:

Quantity:  
Fixture Type:

[WWW.ULTRALIGHTSLIGHTING.COM](http://WWW.ULTRALIGHTSLIGHTING.COM)



320 S Plumer Avenue • Tucson, AZ 85719 • p +1 520 623 9829 • ir

425 Peachtree Hills Ave. NE #3 Atlanta, GA 30305  
404.876.1064 sales@illumco.com