

DUO 19435-32

Base Specifications:

32" dia x 32" h x 40" - 71" adj OAH
 10: WRL - 4 X E26 - for LED Retro 20W max ea
 Opal Acrylic Diffuser

Notes:

Chain hung
 04 Lamping: Wattage and Lumens - Initial at the source

19435-32	-		-		-		-	
MODEL		PERF		FINISH		DIFFUSER		LAMPING

Modifications:

- Chain hung (Standard)
- Stem mount: ___ OAH
- Semi-flush mount (1" - 1.5" from ceiling to top of fixture)

Other Modifications:

A1 - Angles



CL - Cloverleaf



RD - Round



BA - Bronze Age

- BK - Black
- BP - Black Pearl
- CB - Cast Bronze
- CH - Chestnut
- CR - Chrome
- DI - Dark Iron
- EB - Empire Bronze
- MB - Medieval Bronze
- NB - New Brass
- SB - Smokey Brass
- SP - Satin Pewter
- SS - Smoked Silver

OA - Opal

- Premium
- CO - Caramel Onyx
- FA - Faux Albaster
- TS - Tea Stained
- WS - White Swirl

03: Damp / Dry Loc Incan - 4 x E26
 60W max ea - 120V

04: Damp / Dry LED - 46.9W - 7223
 Lumens (Non-Dim or Dim w/ 0-10V
 Dim system) - Universal

10: WRL - 4 x E26 - for LED Retro 20W
 max ea - 120V

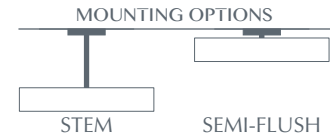
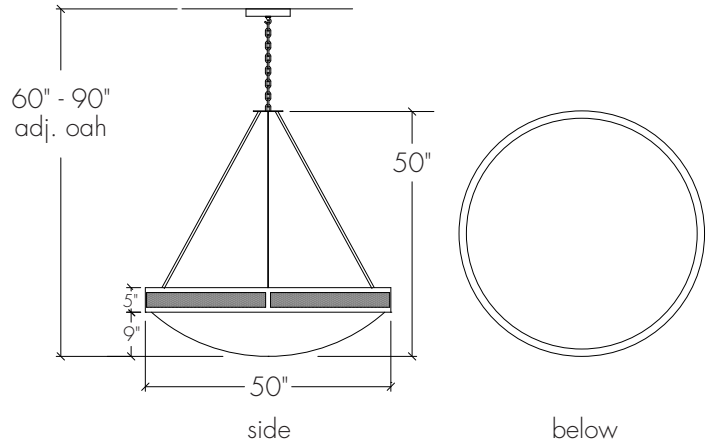
COLOR TEMPERATURE / CRI

- 3000K (Standard) - CRI available upon request
- 2700K - CRI available upon request
- 3500K - CRI available upon request
- 4000K - CRI available upon request

Project Name:
 Fixture Type:

Specifier Name:
 Specifier Location:

Quantity:



DUO 19435-50

Base Specifications:

50" dia x 50" h x 60" - 90" adj OAH
 10: WRL - 8 X E26 - for LED Retro 20W max ea
 Opal Acrylic Diffuser

Notes:

Chain hung
 04 Lamping: Wattage and Lumens - Initial at the source

19435-50	-	-	-	-
MODEL		PERF	FINISH	DIFFUSER
				LAMPING

Modifications:

- Chain hung (Standard)
- Stem mount: ____ OAH
- Semi-flush mount (1" - 1.5" from ceiling to top of fixture)

Other Modifications:

PERF



FINISH

- BA - Bronze Age
- BK - Black
- BP - Black Pearl
- CB - Cast Bronze
- CH - Chestnut
- CR - Chrome
- DI - Dark Iron
- EB - Empire Bronze
- MB - Medieval Bronze
- NB - New Brass
- SB - Smokey Brass
- SP - Satin Pewter
- SS - Smoked Silver

DIFFUSER

- OA - Opal
- Premium
- CO - Caramel Onyx
- FA - Faux Albaster
- TS - Tea Stained
- WS - White Swirl

LAMPING

- 03: Damp / Dry Loc Incan - 8 x E26
60W max ea - 120V
- 04: Damp / Dry LED - 82.6W - 12968 Lumens (Non-Dim or Dim w/ 0-10V Dim system) - Universal
- 10: WRL - 8 x E26 - for LED Retro 20W max ea - 120V

COLOR TEMPERATURE / CRI

- 3000K (Standard) - CRI available upon request
- 2700K - CRI available upon request
- 3500K - CRI available upon request
- 4000K - CRI available upon request

Project Name:
 Fixture Type:

Specifier Name:
 Specifier Location:

Quantity: