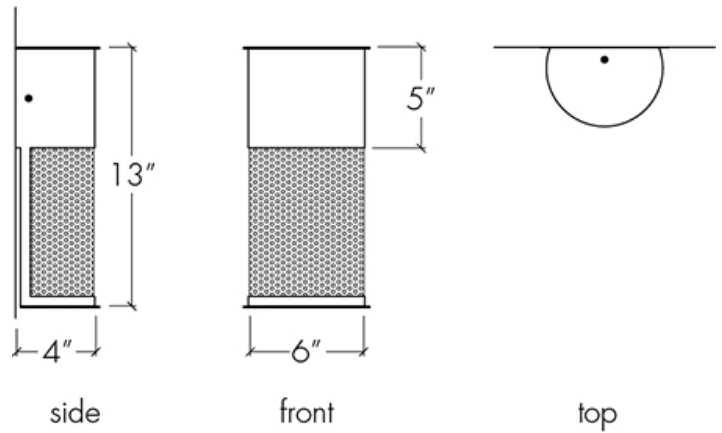


ULTRALIGHTS



PROFILES 19422

Complies with Americans with Disabilities Act

Base Specifications:

13"h x 6"w x 4"d
 04: LED - 8.4W (Dim w/ 0-10V dim system)
 Opal Acrylic Diffuser
 ADA

Notes:

Uplight mounting available*
 04 Lamping: Wattage and Lumens - Initial at the source

19422	-	-	-	-
MODEL		FINISH	DIFFUSER	LAMPING

*Modifications:

Uplight mounting

Other Modifications:

BA - Bronze Age
 BK - Black
 BP - Black Pearl
 CB - Cast Bronze
 CH - Chestnut
 CR - Chrome
 DI - Dark Iron
 EB - Empire Bronze
 MB - Medieval Bronze
 NB - New Brass
 SB - Smokey Brass
 SP - Satin Pewter
 SS - Smoked Silver

PREMIUM
 ANI - Ancient Iron

OA - Opal
 PREMIUM
 CO - Caramel Onyx
 FA - Faux Alabaster
 TS - Tea Stained
 WS - White Swirl

04: Damp / Dry LED - 8.4W - 1181 Lumens
 (Non-Dim or Dim w/ 0-10V Dim system) - Universal

COLOR TEMPERATURE / CRI

- 3000K (Standard) - CRI available upon request
- 2700K - CRI available upon request
- 3500K - CRI available upon request
- 4000K - CRI available upon request

Project Name

Specifier Name
 Specifier Location

Quantity

WWW.ULTRALIGHTSLIGHTING.COM



320 S Plumer Avenue • Tucson, AZ 85719 • p +1 520 623 9829 • ir

425 Peachtree Hills Ave. NE #3 Atlanta, GA 30305
 404.876.1064 sales@illumco.com