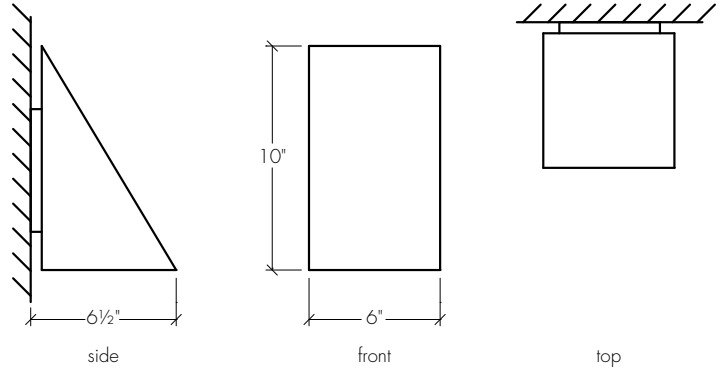


ULTRALIGHTS



FORTIS 18400CS

Dark Sky Wet Location

Base Specifications:

10"h x 6"w x 6.5"d

02: Wet Loc - LED - 16.8W (Std phase dim)

Opal Acrylic Diffuser

Notes:

Corten Steel (CS) is a weathering steel that forms a stabilizing rust finish.

02 / 04 Lamping: Wattage and Lumens - Initial at the source

18400CS		-	-		
MODEL		DIFFUSER	LAMPING		
Modifications:	FINISH	OA - Opal	02: Wet Loc - LED - 16.8W - 2362 Lumens <input type="checkbox"/> (Dim w/ Std Phase Dim) - 120V <input type="checkbox"/> (Non-Dim or Dim w/ 0-10V Dim system) Universal 04: Damp / Dry LED - 16.8W - 2362 Lumens (Non-Dim or Dim w/ 0-10V Dim system) - Universal		
	CS - Corten Steel (Base)		COLOR TEMPERATURE / CRI		
			<input type="checkbox"/> 3000K (Standard) - CRI available upon request <input type="checkbox"/> 2700K - CRI available upon request <input type="checkbox"/> 3500K - CRI available upon request <input type="checkbox"/> 4000K - CRI available upon request		

Project Name

Specifier Name
Specifier Location

Quantity

WWW.ULTRALIGHTSLIGHTING.COM



320 S Plumer Avenue • Tucson, AZ 85719 • p +1 520 623 9829 • ir

425 Peachtree Hills Ave. NE #3 Atlanta, GA 30305
404.876.1064 sales@illumco.com