

STRATA 17374-24

Base Specifications:

24"dia x 3"h x 22" - 96"adj OAH
 04: LED - 35.7W (Dim w/ 0-10V dim system)
 Opal Acrylic Top & Bottom Diffusers

Notes:

Metal body, metal belt
 Cable hung*
 04: Wattage / Lumens (Actual) at the source

17374-24	-		-		-	
MODEL		FINISH (BODY)		FINISH (BELT)		LAMPING

*Modifications:

- Cable hung (Standard)
- Semi-flush mount (1" - 1.5" from ceiling to top of fixture)

Other Modifications:

- BA - Bronze Age
- BK - Black
- BP - Black Pearl
- CB - Cast Bronze
- CH - Chestnut
- CR - Chrome
- DI - Dark Iron
- EB - Empire Bronze
- MB - Medieval Bronze
- NB - New Brass
- SB - Smokey Brass
- SP - Satin Pewter
- SS - Smoked Silver

- PREMIUM
- ANI - Ancient Iron

- BA - Bronze Age
- BK - Black
- BP - Black Pearl
- CB - Cast Bronze
- CH - Chestnut
- CR - Chrome
- DI - Dark Iron
- EB - Empire Bronze
- MB - Medieval Bronze
- NB - New Brass
- SB - Smokey Brass
- SP - Satin Pewter
- SS - Smoked Silver

- PREMIUM
- ANI - Ancient Iron
- BCP - Burlled Copper
- RCU - Raw Copper Unfinished

- 04: Damp / Dry LED - 35.7W - 6069 Lumens (Non-Dim or Dim w/ 0-10V Dim system) - Universal

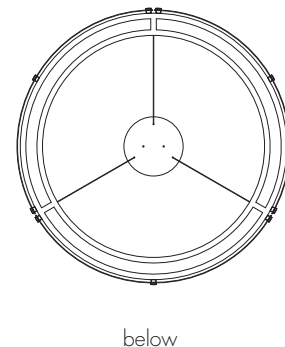
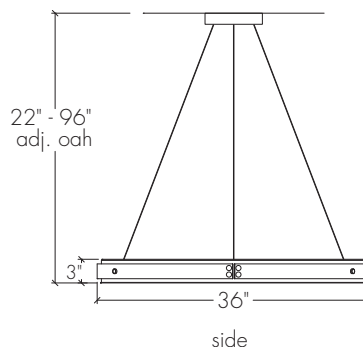
COLOR TEMPERATURE / CRI

- 3000K (Standard) - CRI available upon request
- 3500K - CRI available upon request
- 4000K - CRI available upon request
- 4500K - CRI available upon request

Project Name

Specifier Name
Specifier Location

Quantity



STRATA 17374-36

Base Specifications:

36" dia x 3"h x 22" - 96" adj OAH
 04: LED - 58.4W (Dim w/ 0-10V dim system)
 Opal Acrylic Top & Bottom Diffusers

Notes:

Metal body, metal belt
 Cable hung*
 04: Wattage / Lumens (Actual) at the source

17374-36	-		-		-	
MODEL		FINISH (BODY)		FINISH (BELT)		LAMPING

*Modifications:

- Cable hung (Standard)
- Semi-flush mount (1" - 1.5" from ceiling to top of fixture)

Other Modifications:

- BA - Bronze Age
- BK - Black
- BP - Black Pearl
- CB - Cast Bronze
- CH - Chestnut
- CR - Chrome
- DI - Dark Iron
- EB - Empire Bronze
- MB - Medieval Bronze
- NB - New Brass
- SB - Smokey Brass
- SP - Satin Pewter
- SS - Smoked Silver

- PREMIUM
- ANI - Ancient Iron

- BA - Bronze Age
- BK - Black
- BP - Black Pearl
- CB - Cast Bronze
- CH - Chestnut
- CR - Chrome
- DI - Dark Iron
- EB - Empire Bronze
- MB - Medieval Bronze
- NB - New Brass
- SB - Smokey Brass
- SP - Satin Pewter
- SS - Smoked Silver

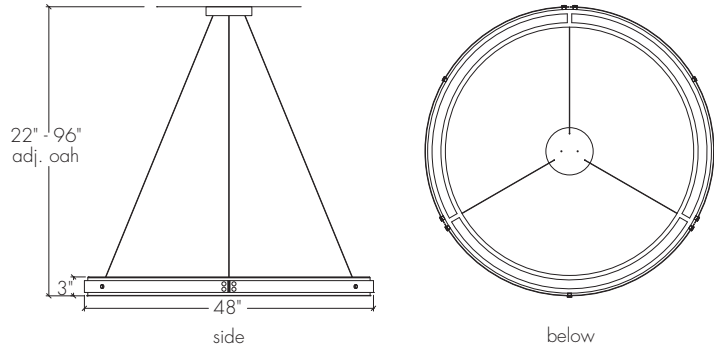
- PREMIUM
- ANI - Ancient Iron
- BCP - Burred Copper
- RCU - Raw Copper Unfinished

04: Damp / Dry LED - 58.4W - 9928 Lumens
 (Non-Dim or Dim w/ 0-10V Dim system) - Universal

COLOR TEMPERATURE / CRI

- 3000K (Standard) - CRI available upon request
- 3500K - CRI available upon request
- 4000K - CRI available upon request
- 4500K - CRI available upon request

Project Name	Specifier Name Specifier Location	Quantity
--------------	--------------------------------------	----------



STRATA 17374-48

Base Specifications:

48"dia x 3"h x 22" - 96"adj OAH
 04: LED - 80.4W (Dim w/ 0-10V dim system)
 Opal Acrylic Top & Bottom Diffusers

Notes:

Metal body, metal belt
 Cable hung*
 04: Wattage / Lumens (Actual) at the source

17374-48	-	-	-	-
MODEL		FINISH (BODY)	FINISH (BELT)	LAMPING

*Modifications:

- Cable hung (Standard)
- Semi-flush mount (1" - 1.5" from ceiling to top of fixture)

Other Modifications:

- BA - Bronze Age
- BK - Black
- BP - Black Pearl
- CB - Cast Bronze
- CH - Chestnut
- CR - Chrome
- DI - Dark Iron
- EB - Empire Bronze
- MB - Medieval Bronze
- NB - New Brass
- SB - Smokey Brass
- SP - Satin Pewter
- SS - Smoked Silver

- PREMIUM
- ANI - Ancient Iron

- BA - Bronze Age
- BK - Black
- BP - Black Pearl
- CB - Cast Bronze
- CH - Chestnut
- CR - Chrome
- DI - Dark Iron
- EB - Empire Bronze
- MB - Medieval Bronze
- NB - New Brass
- SB - Smokey Brass
- SP - Satin Pewter
- SS - Smoked Silver

- PREMIUM
- ANI - Ancient Iron
- BCP - Burred Copper
- RCU - Raw Copper Unfinished

04: Damp / Dry LED - 80.4W - 13668 Lumens
 (Non-Dim or Dim w/ 0-10V Dim system) - Universal

COLOR TEMPERATURE / CRI

- 3000K (Standard) - CRI available upon request
- 3500K - CRI available upon request
- 4000K - CRI available upon request
- 4500K - CRI available upon request

Project Name	Specifier Name Specifier Location	Quantity
--------------	--------------------------------------	----------