

INVICTA 16359-24

Base Specifications:

24" dia x 6" h x 22" - 96" OAH

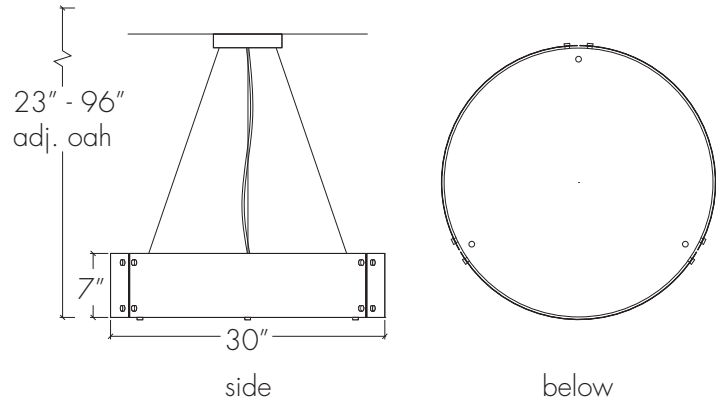
10: WRL - 4 x E26 - for LED retro 20W max ea

Opal Acrylic Diffuser

Notes:

Stem or semi-flush mount available

16359-24				
MODEL	FINISH	DIFFUSER	LAMPING	VOLTAGE
<p>Note of Modifications</p>	<p>DI - Dark Iron</p>	<p>OA - Opal Acrylic</p> <p>PREMIUM</p> <p>CO - Caramel Onyx</p> <p>FA - Faux Alabaster</p> <p>TS - Tea Stained</p> <p>WS - White Swirl</p> <p>BB - Bay Blue</p> <p>MP - Majestic Purple</p> <p>SG - Savannah Green</p> <p>SO - Sunrise Orange</p> <p>SR - Sunset Red</p>	<p>03: Incan - 4 x E26 - 60W max ea</p> <p>04: Integrated LED - 25W (Non-Dim or Dim w/ 0-10V Dim system) 3850 Lumens</p> <p>10: WRL - 4 x E26 - for LED retro 20W max ea</p> <p>COLOR TEMPERATURE</p> <p><input type="checkbox"/> 3000K (Standard)</p> <p><input type="checkbox"/> 2700K</p> <p><input type="checkbox"/> 3500K</p> <p><input type="checkbox"/> 4000K</p>	<p>03: 120V</p> <p>04: Universal</p> <p>10: 120V</p>
Project Name	Specifier Name Specifier Location	Quantity		



INVICTA 16359-30

Base Specifications:

30" dia x 7" h x 23" - 96" adj OAH
 10: WRL - 4 x E26 - for LED retro 20W max ea
 Opal Acrylic Diffuser

Notes:

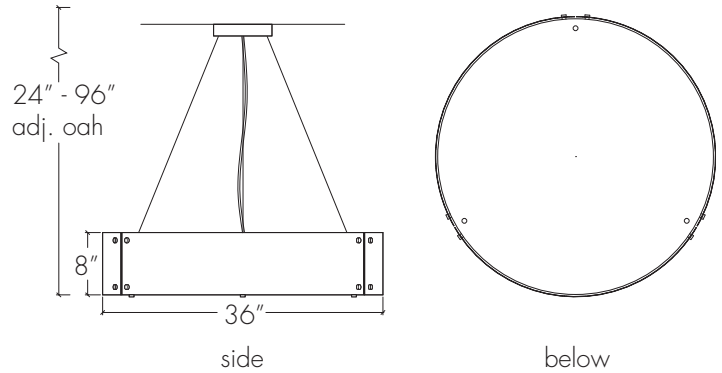
Stem or semi-flush mount available

16359-30				
MODEL	FINISH	DIFFUSER	LAMPING	VOLTAGE
Note of Modifications <div data-bbox="107 1409 310 1837" style="border: 1px solid black; height: 200px; width: 125px;"></div>	DI - Dark Iron	OA - Opal Acrylic PREMIUM CO - Caramel Onyx FA - Faux Alabaster TS - Tea Stained WS - White Swirl BB - Bay Blue MP - Majestic Purple SG - Savannah Green SO - Sunrise Orange SR - Sunset Red	03: Incan - 4 x E26 - 60W max ea 04: Integrated LED - 25W (Non-Dim or Dim w/ 0-10V Dim system) 3850 Lumens 10: WRL - 4 x E26 - for LED retro 20W max ea	03: 120V 04: Universal 10: 120V
			COLOR TEMPERATURE	
			<input type="checkbox"/> 3000K (Standard) <input type="checkbox"/> 2700K <input type="checkbox"/> 3500K <input type="checkbox"/> 4000K	

Project Name

Specifier Name
 Specifier Location

Quantity



INVICTA 16359-36

Base Specifications:

36" dia x 8" h x 24" - 96" adj OAH
 10: WRL - 8 x E26 - for LED retro 20W max ea
 Opal Acrylic Diffuser

Notes:

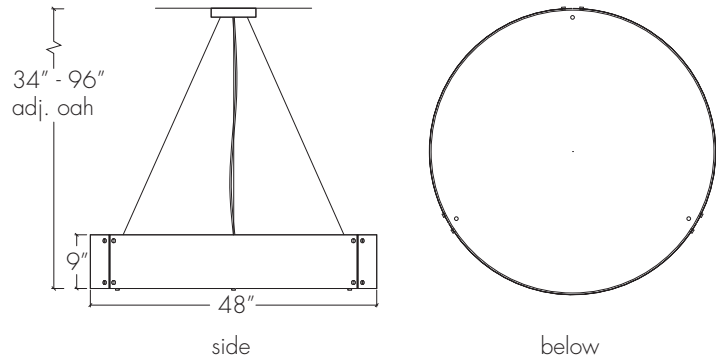
Stem or semi-flush mount available

16359-36				
MODEL	FINISH	DIFFUSER	LAMPING	VOLTAGE
<p>Note of Modifications</p> <div data-bbox="107 1409 310 1837" style="border: 1px solid black; height: 200px;"></div>	<p>DI - Dark Iron</p>	<p>OA - Opal Acrylic</p> <p>PREMIUM</p> <p>CO - Caramel Onyx FA - Faux Alabaster TS - Tea Stained WS - White Swirl BB - Bay Blue MP - Majestic Purple SG - Savannah Green SO - Sunrise Orange SR - Sunset Red</p>	<p>03: Incan - 8 x E26 - 60W max ea 04: Integrated LED - 44.4W (Non-Dim or Dim w/ 0-10V Dim system) 6960 Lumens 10: WRL - 8 x E26 - for LED retro 20W max ea</p> <p>COLOR TEMPERATURE</p> <p><input type="checkbox"/> 3000K (Standard) <input type="checkbox"/> 2700K <input type="checkbox"/> 3500K <input type="checkbox"/> 4000K</p>	<p>03: 120V 04: Universal 10: 120V</p>

Project Name

Specifier Name
 Specifier Location

Quantity



INVICTA 16359-48

Base Specifications:

48" dia x 9"h x 34" - 96" adj OAH
 10: WRL - 8 x E26 - for LED retro 20W max ea
 Opal Acrylic Diffuser

Notes:

Stem or semi-flush mount available

16359-48				
MODEL	FINISH	DIFFUSER	LAMPING	VOLTAGE
<p>Note of Modifications</p>	<p>DI - Dark Iron</p>	<p>OA - Opal Acrylic</p> <p>PREMIUM CO - Caramel Onyx FA - Faux Alabaster TS - Tea Stained WS - White Swirl BB - Bay Blue MP - Majestic Purple SG - Savannah Green SO - Sunrise Orange SR - Sunset Red</p>	<p>03: Incan - 8 x E26 - 60W max ea 04: Integrated LED - 44.4W (Non-Dim or Dim w/ 0-10V Dim system) 6960 Lumens 10: WRL - 8 x E26 - for LED retro 20W max ea</p> <p>COLOR TEMPERATURE</p> <p><input type="checkbox"/> 3000K (Standard) <input type="checkbox"/> 2700K <input type="checkbox"/> 3500K <input type="checkbox"/> 4000K</p>	<p>03: 120V 04: Universal 10: 120V</p>

Project Name

Specifier Name
 Specifier Location

Quantity