

INVICTA 16357-24

Base Specifications:

24" dia x 6"h x 22" - 96" adj OAH

10: WRL - 4 x E26 - for LED retro 20W max ea

Opal Acrylic Diffuser

Notes:

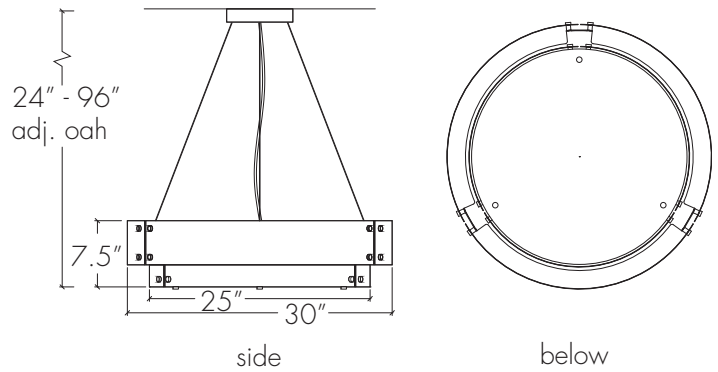
Stem or semi-flush mount available

16357-24	DI			
MODEL	FINISH	DIFFUSER	LAMPING	VOLTAGE
<p>Note of Modifications</p>	<p>DI - Dark Iron</p>	<p>OA - Opal Acrylic</p> <p>PREMIUM</p> <p>CO - Caramel Onyx</p> <p>FA - Faux Alabaster</p> <p>TS - Tea Stained</p> <p>WS - White Swirl</p> <p>BB - Bay Blue</p> <p>MP - Majestic Purple</p> <p>SG - Savannah Green</p> <p>SO - Sunrise Orange</p> <p>SR - Sunset Red</p>	<p>03: Incan - 4 x E26 - 60W max ea</p> <p>04: Integrated LED - 25W (Non-Dim or Dim w/ 0-10V Dim system) 3850 Lumens</p> <p>10: WRL - 4 x E26 - for LED retro 20W max ea</p> <p>COLOR TEMPERATURE</p> <p><input type="checkbox"/> 3000K (Standard)</p> <p><input type="checkbox"/> 2700K</p> <p><input type="checkbox"/> 3500K</p> <p><input type="checkbox"/> 4000K</p>	<p>03: 120V</p> <p>04: Universal</p> <p>10: 120V</p>

Project Name

Specifier Name
Specifier Location

Quantity



INVICTA 16357-30

Base Specifications:

30" dia x 7.5" h x 24" - 96" adj OAH
 10: WRL - 4 x E26 - for LED retro 20W max ea
 Opal Acrylic Diffuser

Notes:

Stem or semi-flush mount available

16357-30	DI			
MODEL	FINISH	DIFFUSER	LAMPING	VOLTAGE

Note of Modifications

DI - Dark Iron

OA - Opal Acrylic

PREMIUM
 CO - Caramel Onyx
 FA - Faux Alabaster
 TS - Tea Stained
 WS - White Swirl
 BB - Bay Blue
 MP - Majestic Purple
 SG - Savannah Green
 SO - Sunrise Orange
 SR - Sunset Red

03: Incan - 4 x E26 - 60W max ea
 04: Integrated LED - 25W
 (Non-Dim or Dim w/ 0-10V Dim system)
 3850 Lumens
 10: WRL - 4 x E26 - for LED retro
 20W max ea

03: 120V
 04: Universal
 10: 120V

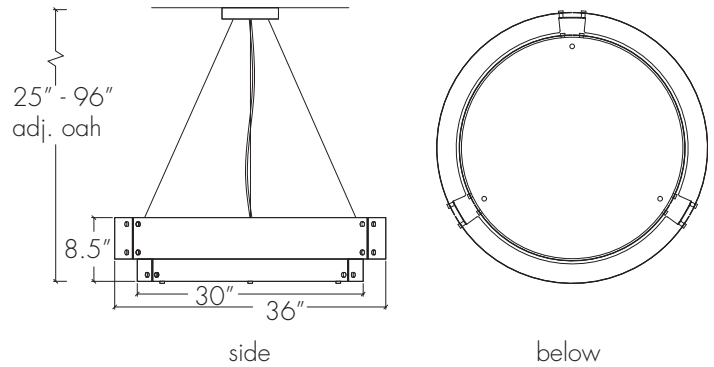
COLOR TEMPERATURE

- 3000K (Standard)
- 2700K
- 3500K
- 4000K

Project Name

Specifier Name
Specifier Location

Quantity



INVICTA 16357-36

Base Specifications:

36" dia x 8.5"h x 25" - 96" adj OAH
 10: WRL - 8 x E26 - for LED retro 20W max ea
 Opal Acrylic Diffuser

Notes:

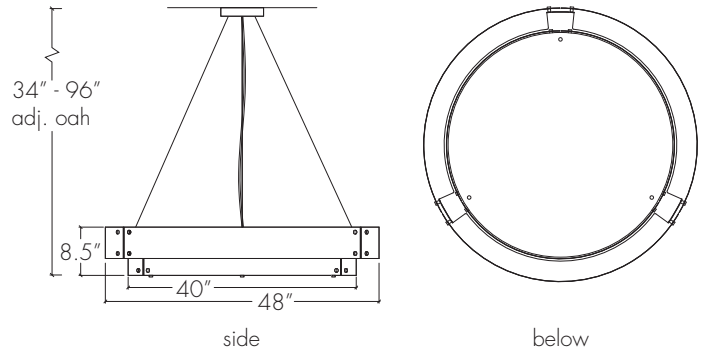
Stem or semi-flush mount available

16357-36	DI			
MODEL	FINISH	DIFFUSER	LAMPING	VOLTAGE
<p>Note of Modifications</p>	<p>DI - Dark Iron</p>	<p>OA - Opal Acrylic</p> <p>PREMIUM</p> <p>CO - Caramel Onyx</p> <p>FA - Faux Alabaster</p> <p>TS - Tea Stained</p> <p>WS - White Swirl</p> <p>BB - Bay Blue</p> <p>MP - Majestic Purple</p> <p>SG - Savannah Green</p> <p>SO - Sunrise Orange</p> <p>SR - Sunset Red</p>	<p>03: Incan - 8 x E26 - 60W max ea</p> <p>04: Integrated LED - 44.4W (Non-Dim or Dim w/ 0-10V Dim system) 6960 Lumens</p> <p>10: WRL - 8 x E26 - for LED retro 20W max ea</p> <p>COLOR TEMPERATURE</p> <p><input type="checkbox"/> 3000K (Standard)</p> <p><input type="checkbox"/> 2700K</p> <p><input type="checkbox"/> 3500K</p> <p><input type="checkbox"/> 4000K</p>	<p>03: 120V</p> <p>04: Universal</p> <p>10: 120V</p>

Project Name

Specifier Name
Specifier Location

Quantity



INVICTA 16357-48

Base Specifications:

48" dia x 8.5"h x 34" - 96" adj OAH

10: WRL - 8 x E26 - for LED retro 20W max ea

Opal Acrylic Diffuser

Notes:

Stem or semi-flush mount available

16357-48	DI			
MODEL	FINISH	DIFFUSER	LAMPING	VOLTAGE
<p>Note of Modifications</p>	<p>DI - Dark Iron</p>	<p>OA - Opal Acrylic</p> <p>PREMIUM</p> <p>CO - Caramel Onyx</p> <p>FA - Faux Alabaster</p> <p>TS - Tea Stained</p> <p>WS - White Swirl</p> <p>BB - Bay Blue</p> <p>MP - Majestic Purple</p> <p>SG - Savannah Green</p> <p>SO - Sunrise Orange</p> <p>SR - Sunset Red</p>	<p>03: Incan - 8 x E26 - 60W max ea</p> <p>04: Integrated LED - 44.4W (Non-Dim or Dim w/ 0-10V Dim system) 6960 Lumens</p> <p>10: WRL - 8 x E26 - for LED retro 20W max ea</p> <p>COLOR TEMPERATURE</p> <p><input type="checkbox"/> 3000K (Standard)</p> <p><input type="checkbox"/> 2700K</p> <p><input type="checkbox"/> 3500K</p> <p><input type="checkbox"/> 4000K</p>	<p>03: 120V</p> <p>04: Universal</p> <p>10: 120V</p>

Project Name

Specifier Name
Specifier Location

Quantity