

INVICTA 16355-24

Base Specifications:

24" dia x 6" h x 22" - 96" adj OAH

10: WRL - 4 x E26 - for LED retro 20W max ea

Opal Acrylic Diffuser

Notes:

Stem or semi-flush mount available

16355-24				
MODEL	FINISH (BELT)	DIFFUSER (BODY)	LAMPING	VOLTAGE

Note of Modifications

- BA - Bronze Age
- BK - Black
- BP - Black Pearl
- CB - Cast Bronze
- CH - Chestnut
- CR - Chrome
- DI - Dark Iron
- EB - Empire Bronze
- MB - Medieval Bronze
- NB - New Brass
- SB - Smokey Brass
- SP - Satin Pewter
- SS - Smoked Silver

- PREMIUM
- ANI - Ancient Iron
 - BCP - Burlled Copper
 - RCU - Raw Copper
 - Unfinished

- OA - Opal
- PREMIUM
- CO - Caramel Onyx
 - FA - Faux Alabaster
 - TS - Tea Stained
 - WS - White Swirl
 - BB - Bay Blue
 - MP - Majestic Purple
 - SG - Savannah Green
 - SO - Sunrise Orange
 - SR - Sunset Red

- 03: Incan - 4 x E26 - 60W max ea
- 04: Integrated LED - 25W
(Non-Dim or Dim w/ 0-10V Dim system)
3850 Lumens
- 10: WRL - 4 x E26 - for LED retro
20W max ea

- 03: 120V
- 04: Universal
- 10: 120V

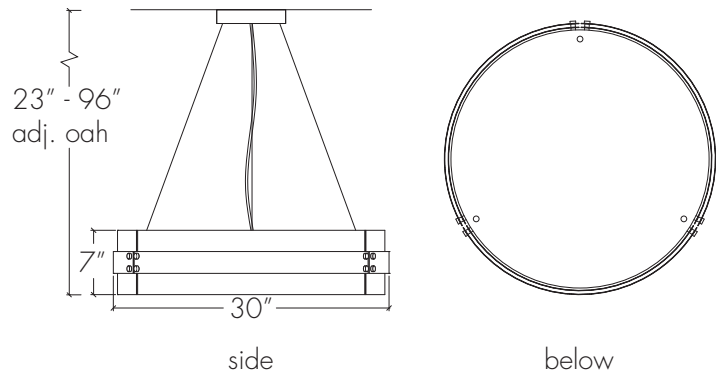
COLOR TEMPERATURE

- 3000K (Standard)
- 2700K
- 3500K
- 4000K

Project Name

Specifier Name
Specifier Location

Quantity



INVICTA 16355-30

Base Specifications:

30" dia x 7"h x 23" - 96" adj OAH
 10: WRL - 4 x E26 - for LED retro 20W max ea
 Opal Acrylic Diffuser

Notes:

Stem or semi-flush mount available

16355-30	-		-		-		-	
MODEL		FINISH (BELT)		DIFFUSER (BODY)		LAMPING		VOLTAGE

Note of Modifications

- BA - Bronze Age
- BK - Black
- BP - Black Pearl
- CB - Cast Bronze
- CH - Chestnut
- CR - Chrome
- DI - Dark Iron
- EB - Empire Bronze
- MB - Medieval Bronze
- NB - New Brass
- SB - Smokey Brass
- SP - Satin Pewter
- SS - Smoked Silver

- PREMIUM
- ANI - Ancient Iron
 - BCP - Burlled Copper
 - RCU - Raw Copper
 - Unfinished

- OA - Opal
- PREMIUM
- CO - Caramel Onyx
 - FA - Faux Alabaster
 - TS - Tea Stained
 - WS - White Swirl
 - BB - Bay Blue
 - MP - Majestic Purple
 - SG - Savannah Green
 - SO - Sunrise Orange
 - SR - Sunset Red

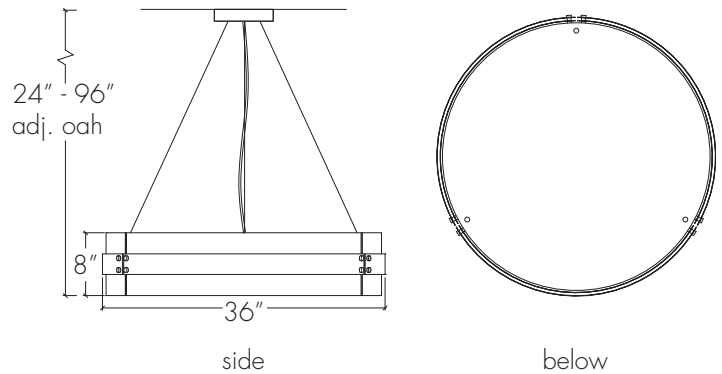
- 03: Incan - 4 x E26 - 60W max ea
- 04: Integrated LED - 25W
(Non-Dim or Dim w/ 0-10V Dim system)
3850 Lumens
- 10: WRL - 4 x E26 - for LED retro
20W max ea

- 03: 120V
- 04: Universal
- 10: 120V

COLOR TEMPERATURE

- 3000K (Standard)
- 2700K
- 3500K
- 4000K

Project Name	Specifier Name Specifier Location	Quantity
--------------	--------------------------------------	----------



INVICTA 16355-36

Base Specifications:

36" dia x 8"h x 24" - 96" adj OAH

10: WRL - 8 x E26 - for LED retro 20W max ea

Opal Acrylic Diffuser

Notes:

Stem or semi-flush mount available

16355-36				
MODEL	FINISH (BELT)	DIFFUSER (BODY)	LAMPING	VOLTAGE

Note of Modifications

- BA - Bronze Age
- BK - Black
- BP - Black Pearl
- CB - Cast Bronze
- CH - Chestnut
- CR - Chrome
- DI - Dark Iron
- EB - Empire Bronze
- MB - Medieval Bronze
- NB - New Brass
- SB - Smokey Brass
- SP - Satin Pewter
- SS - Smoked Silver

- PREMIUM
- ANI - Ancient Iron
 - BCP - Burlled Copper
 - RCU - Raw Copper
 - Unfinished

- OA - Opal
- PREMIUM
- CO - Caramel Onyx
 - FA - Faux Alabaster
 - TS - Tea Stained
 - WS - White Swirl
 - BB - Bay Blue
 - MP - Majestic Purple
 - SG - Savannah Green
 - SO - Sunrise Orange
 - SR - Sunset Red

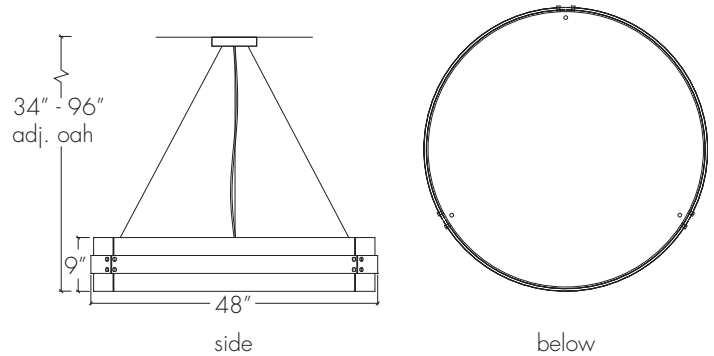
- 03: Incan - 8 x E26 - 60W max ea
- 04: Integrated LED - 44.4W
(Non-Dim or Dim w/ 0-10V Dim system)
6960 Lumens
- 10: WRL - 8 x E26 - for LED retro
20W max ea

- 03: 120V
- 04: Universal
- 10: 120V

COLOR TEMPERATURE

- 3000K (Standard)
- 2700K
- 3500K
- 4000K

Project Name	Specifier Name Specifier Location	Quantity
--------------	--------------------------------------	----------



INVICTA 16355-48

Base Specifications:

48" dia x 9"h x 34" - 96" adj OAH

10: WRL - 8 x E26 - for LED retro 20W max ea

Opal Acrylic Diffuser

Notes:

Stem or semi-flush mount available

16355-48				
MODEL	FINISH (BELT)	DIFFUSER (BODY)	LAMPING	VOLTAGE

Note of Modifications

- BA - Bronze Age
- BK - Black
- BP - Black Pearl
- CB - Cast Bronze
- CH - Chestnut
- CR - Chrome
- DI - Dark Iron
- EB - Empire Bronze
- MB - Medieval Bronze
- NB - New Brass
- SB - Smokey Brass
- SP - Satin Pewter
- SS - Smoked Silver

- PREMIUM
- ANI - Ancient Iron
 - BCP - Burlled Copper
 - RCU - Raw Copper
 - Unfinished

- OA - Opal
- PREMIUM
- CO - Caramel Onyx
 - FA - Faux Alabaster
 - TS - Tea Stained
 - WS - White Swirl
 - BB - Bay Blue
 - MP - Majestic Purple
 - SG - Savannah Green
 - SO - Sunrise Orange
 - SR - Sunset Red

- 03: Incan - 8 x E26 - 60W max ea
- 04: Integrated LED - 44.4W
(Non-Dim or Dim w/ 0-10V Dim system)
6960 Lumens
- 10: WRL - 8 x E26 - for LED retro
20W max ea

- 03: 120V
- 04: Universal
- 10: 120V

COLOR TEMPERATURE

- 3000K (Standard)
- 2700K
- 3500K
- 4000K

Project Name	Specifier Name Specifier Location	Quantity
--------------	--------------------------------------	----------