

SYNERGY 112 14

Base Specifications:

14"h x 5"w x 4"d

02: Wet Loc - LED - 8.4W (Std Phase Dim)

Opal Acrylic Diffuser

ADA

112 14	-		-		-		-	
MODEL		FINISH		DIFFUSER		LAMPING		VOLTAGE

Note of Modifications

- BA - Bronze Age
- BK - Black
- BP - Black Pearl
- CB - Cast Bronze
- CH - Chestnut
- CR - Chrome
- DI - Dark Iron
- EB - Empire Bronze
- MB - Medieval Bronze
- NB - New Brass
- SB - Smokey Brass
- SP - Satin Pewter
- SS - Smoked Silver

- PREMIUM
- ANI - Ancient Iron
 - BCP - Burlled Copper

- OA - Opal
- PREMIUM
- CO - Caramel Onyx
- FA - Faux Alabaster
- TS - Tea Stained
- WS - White Swirl

02: Wet Loc - LED - 8.4W
(Std Phase Dim) - 1181 Lumens

02: 120V

COLOR TEMPERATURE

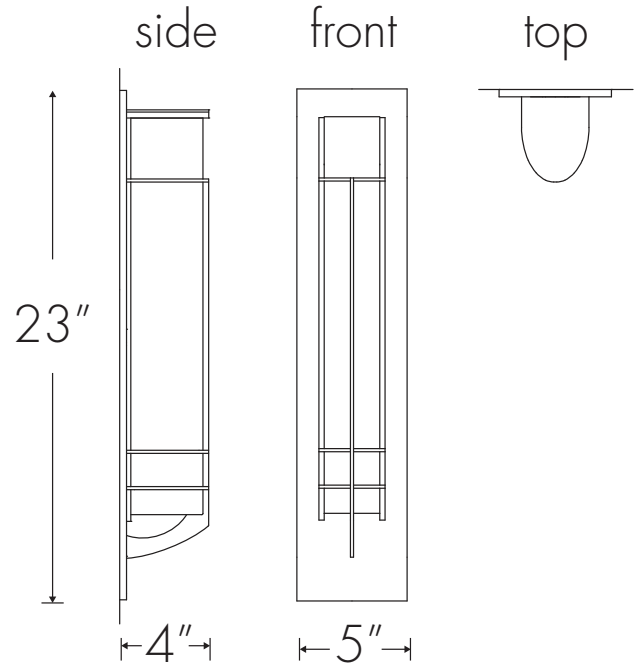
- 3000K (Standard)
- 2700K
- 3500K
- 4000K

Project Name

Specifier Name
Specifier Location

Quantity

ULTRALIGHTS



SYNERGY 11215

Base Specifications:

23"h x 5"w x 4"d

02: Wet Loc - LED - 8.4W (Std Phase Dim)

Opal Acrylic Diffuser

ADA

11215	-		-		-		-	
MODEL		FINISH		DIFFUSER		LAMPING		VOLTAGE

Note of Modifications

- BA - Bronze Age
- BK - Black
- BP - Black Pearl
- CB - Cast Bronze
- CH - Chestnut
- CR - Chrome
- DI - Dark Iron
- EB - Empire Bronze
- MB - Medieval Bronze
- NB - New Brass
- SB - Smokey Brass
- SP - Satin Pewter
- SS - Smoked Silver

- PREMIUM
- ANI - Ancient Iron
- BCP - Burlled Copper Plate

- OA - Opal

- PREMIUM
- CO - Caramel Onyx
- FA - Faux Alabaster
- TS - Tea Stained
- WS - White Swirl

02: Wet Loc - LED - 8.4W
(Std Phase Dim) - 1181 Lumens

02: 120V

COLOR TEMPERATURE

- 3000K (Standard)
- 2700K
- 3500K
- 4000K

Project Name

Specifier Name
Specifier Location

Quantity

WWW.ULTRALIGHTSLIGHTING.COM

