

## SYNERGY 112 12

### Base Specifications:

14"h x 5"w x 4"d

04: LED - 8.4W (Std Phase Dim)

Opal Acrylic Diffuser

ADA

112 12	-		-		-		-	
MODEL		FINISH		DIFFUSER		LAMPING		VOLTAGE

### Note of Modifications

- BA - Bronze Age
- BK - Black
- BP - Black Pearl
- CB - Cast Bronze
- CH - Chestnut
- CR - Chrome
- DI - Dark Iron
- EB - Empire Bronze
- MB - Medieval Bronze
- NB - New Brass
- SB - Smokey Brass
- SP - Satin Pewter
- SS - Smoked Silver
  
- PREMIUM
- ANI - Ancient Iron
- BCP - Burling Copper

- OA - Opal
  
- PREMIUM
- CO - Caramel Onyx
- FA - Faux Alabaster
- TS - Tea Stained
- WS - White Swirl

- 04: LED - 8.4W  
(Std Phase Dim) - 729 Lumens
- 10: WRL - 1 x E26 - for LED Retro  
10W max (T-10)

- 04: Universal
- 10: 120V

### COLOR TEMPERATURE

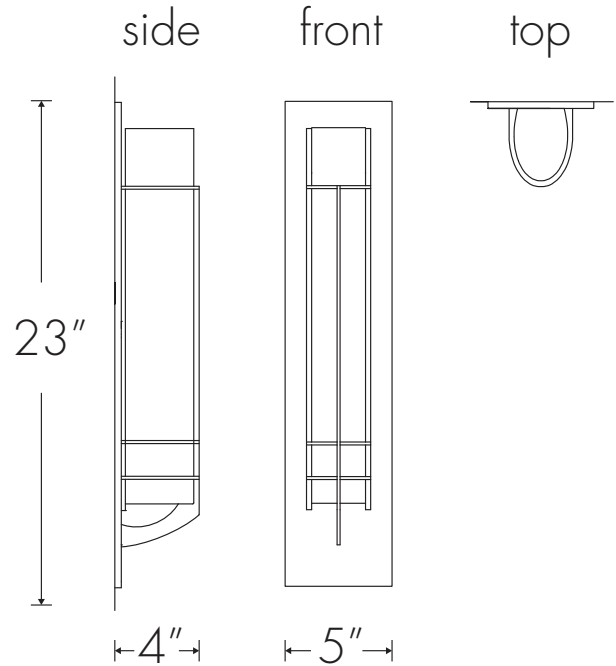
- 3000K (Standard)
- 2700K
- 3500K
- 4000K

Project Name

Specifier Name  
Specifier Location

Quantity

# ULTRALIGHTS



## SYNERGY 11213

### Base Specifications:

23"h x 5"w x 4"d

04: LED - 8.4W (Std Phase Dim)

Opal Acrylic Diffuser

ADA

11213				
MODEL	FINISH	DIFFUSER	LAMPING	VOLTAGE

### Note of Modifications

- BA - Bronze Age
- BK - Black
- BP - Black Pearl
- CB - Cast Bronze
- CH - Chestnut
- CR - Chrome
- DI - Dark Iron
- EB - Empire Bronze
- MB - Medieval Bronze
- NB - New Brass
- SB - Smokey Brass
- SP - Satin Pewter
- SS - Smoked Silver

- PREMIUM
- ANI - Ancient Iron
  - BCP - Burlled Copper

- OA - Opal
- PREMIUM
- CO - Caramel Onyx
- FA - Faux Alabaster
- TS - Tea Stained
- WS - White Swirl

- 04: LED - 8.4W (Std Phase Dim) - 940 Lumens
- 10: WRL - 1 x E26 - for LED Retro 10W max (T-10)

- 04: Universal
- 10: 120V

### COLOR TEMPERATURE

- 3000K (Standard)
- 2700K
- 3500K
- 4000K

Project Name	Specifier Name Specifier Location	Quantity
--------------	--------------------------------------	----------

WWW.ULTRALIGHTSLIGHTING.COM

