

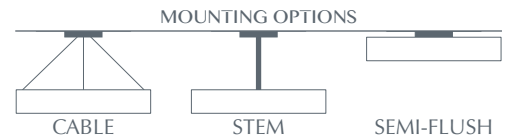
## COMPASS 11202-24

### Base Specifications:

24" dia x 5.75" h x 14" - 96" adj OAH  
 10: WRL - 4 x E26 - for LED Retro 20W max ea  
 Opal Acrylic Diffuser

### Notes:

Cable hung\*  
 04 Lamping: Wattage and Lumens - Initial at the source, no black power cord



<b>11202-24</b>	-	-	-
<b>MODEL</b>	<b>FINISH</b>	<b>DIFFUSER</b>	<b>LAMPING</b>

#### \*Modifications:

- Cable hung (Standard)
- Stem mount: \_\_\_\_ OAH
- Semi-flush mount (1" - 1.5" from ceiling to top of fixture)
- Top diffuser (LED only)

#### Other Modifications:

- BA - Bronze Age
- BK - Black
- BP - Black Pearl
- CB - Cast Bronze
- CH - Chestnut
- CR - Chrome
- DI - Dark Iron
- EB - Empire Bronze
- MB - Medieval Bronze
- NB - New Brass
- SB - Smokey Brass
- SP - Satin Pewter
- SS - Smoked Silver

- OA - Opal
- PREMIUM
- CO - Caramel Onyx
- FA - Faux Alabaster
- TS - Tea Stained
- WS - White Swirl

- 03: Damp / Dry Loc Incan - 4 x E26 - 60W max ea - 120V
- 04: Damp / Dry LED - 46.9W - 7223 Lumens (Non-Dim or Dim w/ 0-10V Dim system) - Universal No Black Power Cord
- 10: WRL - 4 x E26 - for LED Retro 20W max ea - 120V

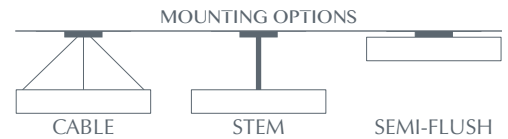
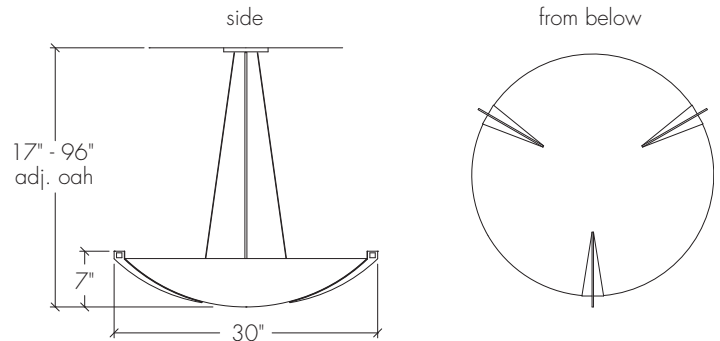
#### COLOR TEMPERATURE / CRI

- 3000K (Standard) - CRI available upon request
- 2700K - CRI available upon request
- 3500K - CRI available upon request
- 4000K - CRI available upon request

Project Name: \_\_\_\_\_  
 Project Location: \_\_\_\_\_

Specifier Name: \_\_\_\_\_  
 Specifier Location: \_\_\_\_\_

Quantity: \_\_\_\_\_  
 Fixture Type: \_\_\_\_\_



## COMPASS 11202-30

### Base Specifications:

30" dia x 7"h x 17" - 96" adj OAH  
 10: WRL - 4 x E26 - for LED Retro 20W max ea  
 Opal Acrylic Diffuser

### Notes:

Cable hung\*  
 04 Lamping: Wattage and Lumens - Initial at the source, no black power cord

<b>11202-30</b>	-	-	-
<b>MODEL</b>	<b>FINISH</b>	<b>DIFFUSER</b>	<b>LAMPING</b>

#### \*Modifications:

- Cable hung (Standard)
- Stem mount: \_\_\_\_ OAH
- Semi-flush mount (1" - 1.5" from ceiling to top of fixture)
- Top diffuser (LED only)

#### Other Modifications:

- BA - Bronze Age
- BK - Black
- BP - Black Pearl
- CB - Cast Bronze
- CH - Chestnut
- CR - Chrome
- DI - Dark Iron
- EB - Empire Bronze
- MB - Medieval Bronze
- NB - New Brass
- SB - Smokey Brass
- SP - Satin Pewter
- SS - Smoked Silver

- OA - Opal
- PREMIUM
- CO - Caramel Onyx
- FA - Faux Alabaster
- TS - Tea Stained
- WS - White Swirl

- 03: Damp / Dry Loc Incan - 4 x E26 - 60W max ea - 120V
- 04: Damp / Dry LED - 46.9W - 7223 Lumens (Non-Dim or Dim w/ 0-10V Dim system) - Universal No Black Power Cord
- 10: WRL - 4 x E26 - for LED Retro 20W max ea - 120V

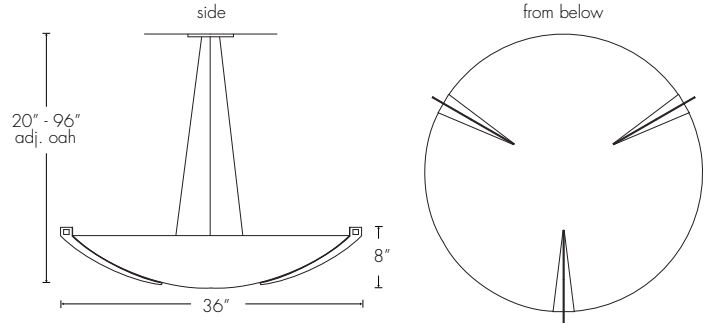
#### COLOR TEMPERATURE / CRI

- 3000K (Standard) - CRI available upon request
- 2700K - CRI available upon request
- 3500K - CRI available upon request
- 4000K - CRI available upon request

Project Name: \_\_\_\_\_  
 Project Location: \_\_\_\_\_

Specifier Name: \_\_\_\_\_  
 Specifier Location: \_\_\_\_\_

Quantity: \_\_\_\_\_  
 Fixture Type: \_\_\_\_\_



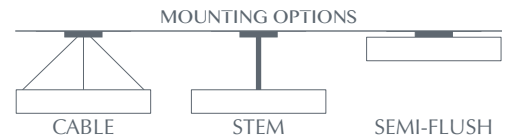
## COMPASS 11202-36

### Base Specifications:

36" dia x 8"h x 20" - 96" adj OAH  
 10: WRL - 8 x E26 - for LED Retro 20W max ea  
 Opal Acrylic Diffuser

### Notes:

Cable hung\*  
 04 Lamping: Wattage and Lumens - Initial at the source, no black power cord



<b>11202-36</b>	-	-	-
<b>MODEL</b>	<b>FINISH</b>	<b>DIFFUSER</b>	<b>LAMPING</b>

#### \*Modifications:

- Cable hung (Standard)
- Stem mount: \_\_\_\_ OAH
- Semi-flush mount (1" - 1.5" from ceiling to top of fixture)
- Top diffuser (LED only)

#### Other Modifications:

- BA - Bronze Age
- BK - Black
- BP - Black Pearl
- CB - Cast Bronze
- CH - Chestnut
- CR - Chrome
- DI - Dark Iron
- EB - Empire Bronze
- MB - Medieval Bronze
- NB - New Brass
- SB - Smokey Brass
- SP - Satin Pewter
- SS - Smoked Silver

- OA - Opal
- PREMIUM
- CO - Caramel Onyx
- FA - Faux Alabaster
- TS - Tea Stained
- WS - White Swirl

- 03: Damp / Dry Loc Incan - 8 x E26 - 60W max ea - 120V
- 04: Damp / Dry LED - 82.6W - 12,968 Lumens (Non-Dim or Dim w/ 0-10V Dim system) - Universal No Black Power Cord
- 10: WRL - 8 x E26 - for LED Retro 20W max ea - 120V

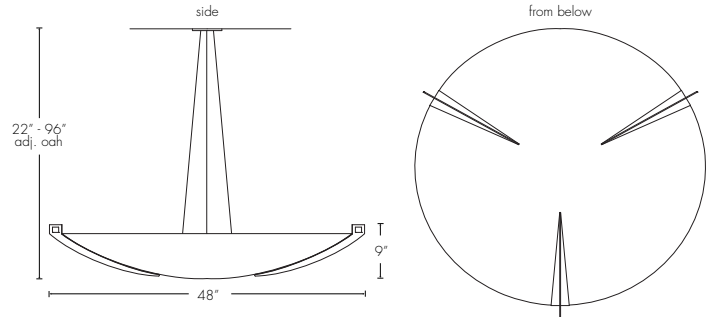
#### COLOR TEMPERATURE / CRI

- 3000K (Standard) - CRI available upon request
- 2700K - CRI available upon request
- 3500K - CRI available upon request
- 4000K - CRI available upon request

Project Name: \_\_\_\_\_  
 Project Location: \_\_\_\_\_

Specifier Name: \_\_\_\_\_  
 Specifier Location: \_\_\_\_\_

Quantity: \_\_\_\_\_  
 Fixture Type: \_\_\_\_\_



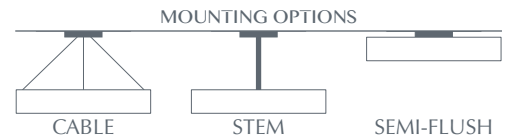
## COMPASS 11202-48

### Base Specifications:

48" dia x 9"h x 22" - 96" adj OAH  
 10: WRL - 8 x E26 - for LED Retro 20W max ea  
 Opal Acrylic Diffuser

### Notes:

Cable hung\*  
 04 Lamping: Wattage and Lumens - Initial at the source, no black power cord



<b>11202-48</b>			
<b>MODEL</b>	<b>FINISH</b>	<b>DIFFUSER</b>	<b>LAMPING</b>

#### \*Modifications:

- Cable hung (Standard)
- Stem mount: \_\_\_\_ OAH
- Semi-flush mount (1" - 1.5" from ceiling to top of fixture)
- Top diffuser (LED only)

#### Other Modifications:

- BA - Bronze Age
- BK - Black
- BP - Black Pearl
- CB - Cast Bronze
- CH - Chestnut
- CR - Chrome
- DI - Dark Iron
- EB - Empire Bronze
- MB - Medieval Bronze
- NB - New Brass
- SB - Smokey Brass
- SP - Satin Pewter
- SS - Smoked Silver

- OA - Opal
- PREMIUM
- CO - Caramel Onyx
- FA - Faux Alabaster
- TS - Tea Stained
- WS - White Swirl

- 03: Damp / Dry Loc Incan - 8 x E26 - 60W max ea - 120V
- 04: Damp / Dry LED - 82.6W - 12,968 Lumens (Non-Dim or Dim w/ 0-10V Dim system) - Universal No Black Power Cord
- 10: WRL - 8 x E26 - for LED Retro 20W max ea - 120V

#### COLOR TEMPERATURE / CRI

- 3000K (Standard) - CRI available upon request
- 2700K - CRI available upon request
- 3500K - CRI available upon request
- 4000K - CRI available upon request

Project Name: \_\_\_\_\_  
 Project Location: \_\_\_\_\_

Specifier Name: \_\_\_\_\_  
 Specifier Location: \_\_\_\_\_

Quantity: \_\_\_\_\_  
 Fixture Type: \_\_\_\_\_