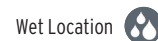


SYNERGY 0476



Base Specifications:

14"h x 8.25"w x 5"d

01: Wet Loc Incan - 1 x E26 - 60W max ea

Opal Acrylic Diffuser

Notes:

02 Lamping: Lumens (Actual) at the source

0476	-	-	-
MODEL		FINISH	DIFFUSER

Modifications:

- BA - Bronze Age
- BK - Black
- BP - Black Pearl
- CB - Cast Bronze
- CH - Chestnut
- CR - Chrome
- DI - Dark Iron
- EB - Empire Bronze
- MB - Medieval Bronze
- NB - New Brass
- SB - Smokey Brass
- SP - Satin Pewter
- SS - Smoked Silver

- OA - Opal
- PREMIUM
- CO - Caramel Onyx
- FA - Faux Alabaster
- TS - Tea Stained
- WS - White Swirl

- 01: Wet Loc Incan - 1 x E26 - 60W max ea - 120V
- 02: Wet Loc - LED - 8.4W - 1181 Lumens
 - (Dim w/ Std Phase Dim) - 120V
 - (Non-Dim or Dim w/ 0-10V Dim system) Universal

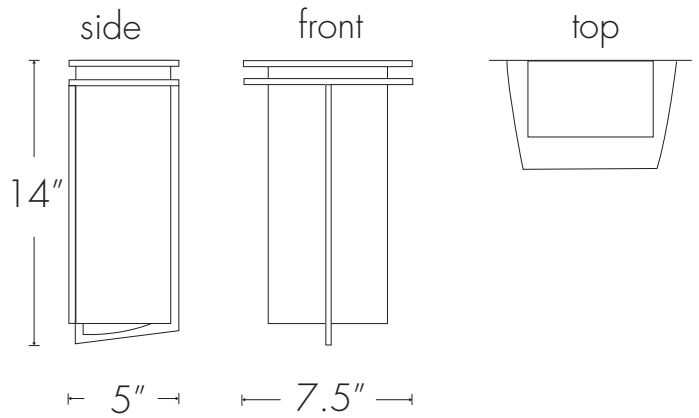
COLOR TEMPERATURE / CRI

- 3000K (Standard) - CRI available upon request
- 2700K - CRI available upon request
- 3500K - CRI available upon request
- 4000K - CRI available upon request

Project Name

Specifier Name
Specifier Location

Quantity



SYNERGY 0486

Base Specifications:

14"h x 7.5"w x 5"d

01: Wet Loc - 1 x E26 - 60W max

Opal Acrylic Diffuser

0486				
MODEL	FINISH	DIFFUSER	LAMPING	VOLTAGE

Note of Modifications

- BA - Bronze Age
- BK - Black
- BP - Black Pearl
- CB - Cast Bronze
- CH - Chestnut
- CR - Chrome
- DI - Dark Iron
- EB - Empire Bronze
- MB - Medieval Bronze
- NB - New Brass
- SB - Smokey Brass
- SP - Satin Pewter
- SS - Smoked Silver

- OA - Opal
- PREMIUM
- CO - Caramel Onyx
- FA - Faux Alabaster
- TS - Tea Stained
- WS - White Swirl

- 01: Wet Loc - Incan - 1 x E26 - 60W max
- 02: Wet Loc - LED - 15W (Dim w/ std phase dim) - 940 Lumens

- 01: 120V
- 02: 120V

COLOR TEMPERATURE

- 3000K (Standard)
- 2700K
- 3500K
- 4000K

Project Name

Specifier Name
Specifier Location

Quantity