



Tresor, a Wealth, of Light.

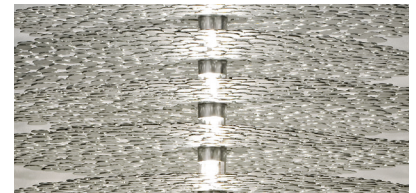
design Jean François Crochet
terzani.com



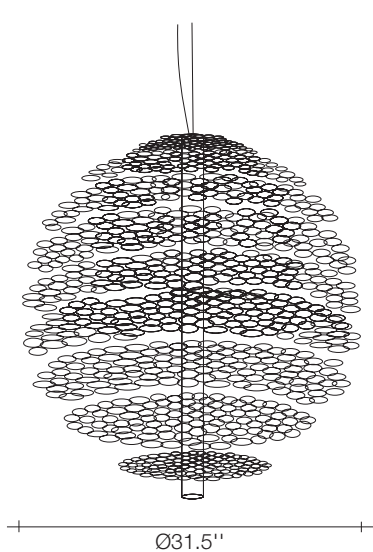
Type		suspension
Materials		metal
Finishes		Code
Silver		 0N60S H6 C8
Gold		 0N60S H5 C8

An impeccable addition to any space, Tresor's hand-made design and precious metal "coins" create scintillating halos of light. Recalling discovered treasure, the layers of gold or silver leaf create a rich, luxurious light. Available in a range of sizes, including wall sconces and pendants, tresor has an elegance that is truly priceless. Design Jean François Crochet.

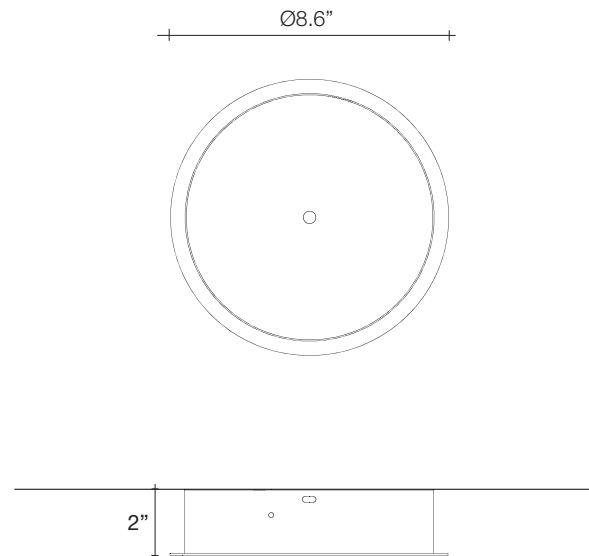
Light Source |



Body |



Canopy |



illuminations
425 Peachtree Hills Ave. NE #3 Atlanta, GA 30305
404.876.1064 sales@illumco.com