



Soscik, Classic form, *Modern look.*

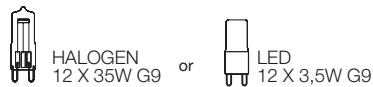
design Nicolas Terzani
terzani.com



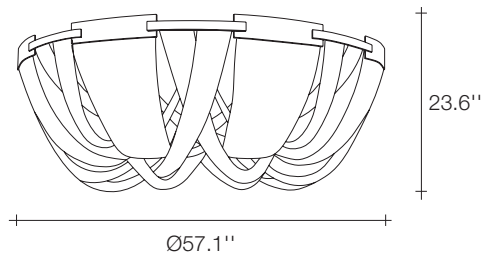
Type		ceiling lamp
Materials		metal
Finishes		Code
Nickel		OG62L H4 C8
Bronze		OG62L F7 C8

Reinventing the classics. With Soscik, Terzani combines traditional, artisan techniques with cutting edge technology to give the traditional chandelier a modern update. Created by interlacing metal chain over a nickel-plated frame, Soscik creates a dramatic and romantic effect, while still being able to compliment today's modern luxury. Available as a chandelier or a ceiling lamp, Soscik proves that modern design does not have to sacrifice luxury. Design Nicolas Terzani.

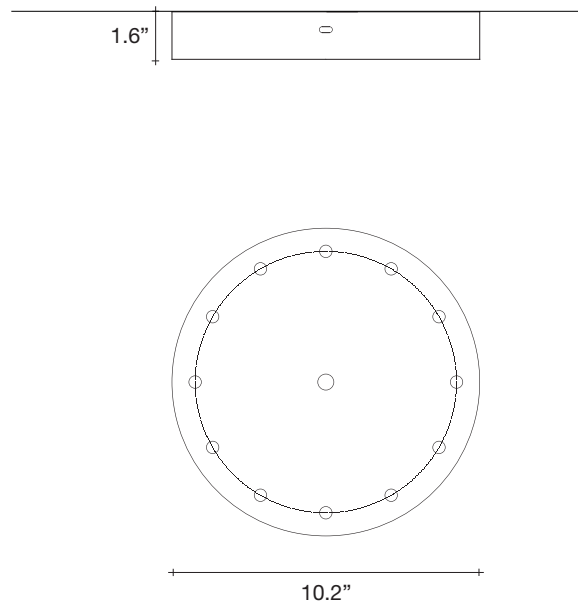
Light Source |



Body |



Canopy |



illuminations
425 Peachtree Hills Ave. NE #3 Atlanta, GA 30305
404.876.1064 sales@illumco.com

Soscik, Classic form, *Modern look.*

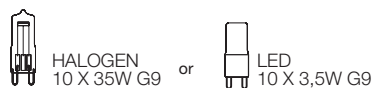
design Nicolas Terzani
terzani.com



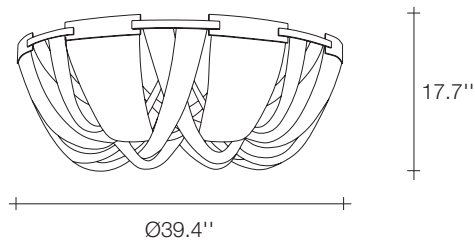
Type		ceiling lamp
Materials		metal
Finishes		Code
Nickel		OG61L H4 C8
Bronze		OG61L F7 C8

Reinventing the classics. With Soscik, Terzani combines traditional, artisan techniques with cutting edge technology to give the traditional chandelier a modern update. Created by interlacing metal chain over a nickel-plated frame, Soscik creates a dramatic and romantic effect, while still being able to compliment today's modern luxury. Available as a chandelier or a ceiling lamp, Soscik proves that modern design does not have to sacrifice luxury. Design Nicolas Terzani.

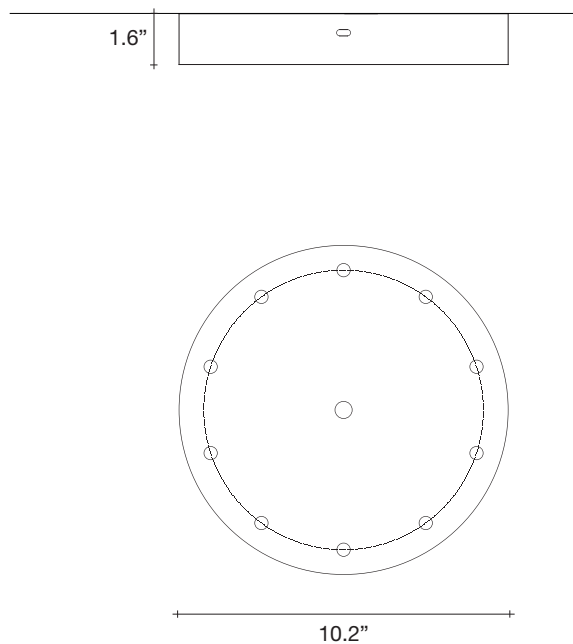
Light Source |



Body |



Canopy |



illuminations
425 Peachtree Hills Ave. NE #3 Atlanta, GA 30305
404.876.1064 sales@illumco.com

Soscik, Classic form, *Modern look.*

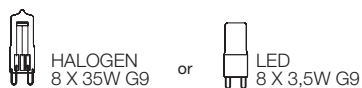
design Nicolas Terzani
terzani.com



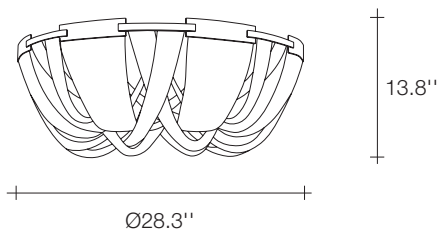
Type		ceiling lamp
Materials		metal
Finishes		Code
Nickel		OG60L H4 C8
Bronze		OG60L F7 C8

Reinventing the classics. With Soscik, Terzani combines traditional, artisan techniques with cutting edge technology to give the traditional chandelier a modern update. Created by interlacing metal chain over a nickel-plated frame, Soscik creates a dramatic and romantic effect, while still being able to compliment today's modern luxury. Available as a chandelier or a ceiling lamp, Soscik proves that modern design does not have to sacrifice luxury. Design Nicolas Terzani.

Light Source |



Body |



Canopy |

