



# Orten'zia, Petals of *Light*.

design Bruno Rainaldi  
terzani.com



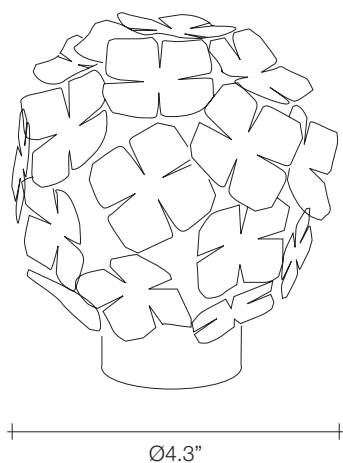
Type		Table lamp
Materials		Metal
Finishes		Code
Silver		 0M50B G7 C8
Gold		 0M50B H8 C8

Recalling the natural beauty of a flower, Orten'zia hand-soldered "petals" emanate a unique glow, immersing the entire room in a glimmering light. An organic radiance is created through light and shadow, planting a garden within the room. Available in either nickel or gold plated, the orten'zia's elegant form complements its dramatic light. Design Bruno Rainaldi.

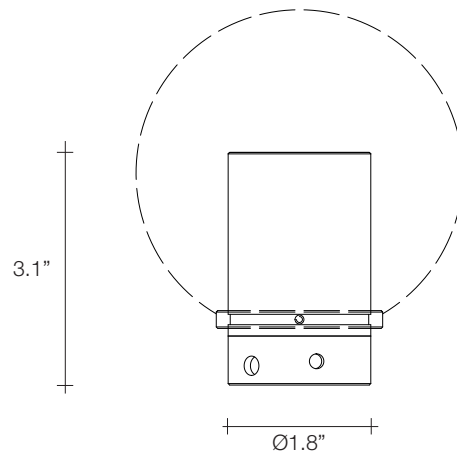
### Light Source |



### Body |



### Base |



# Orten'zia, Petals of *Light*.

design Bruno Rainaldi  
terzani.com



**Type** | Table lamp

**Materials** | Metal

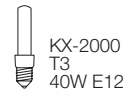
**Finishes** | **Code**

Silver  0M41B E7 C8

Gold  0M41B H8 C8

Recalling the natural beauty of a flower, Orten'zia hand-soldered "petals" emanate a unique glow, immersing the entire room in a glimmering light. An organic radiance is created through light and shadow, planting a garden within the room. Available in either nickel or gold plated, the orten'zia's elegant form complements its dramatic light. Design Bruno Rainaldi.

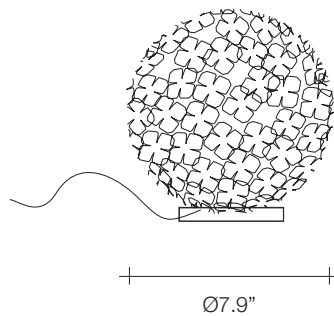
**Light Source** |



 integrated



**Body** |



**Base** |

