

# Manta, Shimmering Waves.

design Dodo Arslan & Nicolas Terzani  
terzani.com



**Type |**  
Pendant

**Materials |**  
Clear crystal

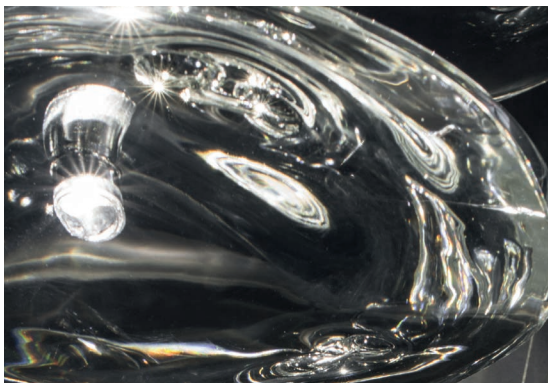
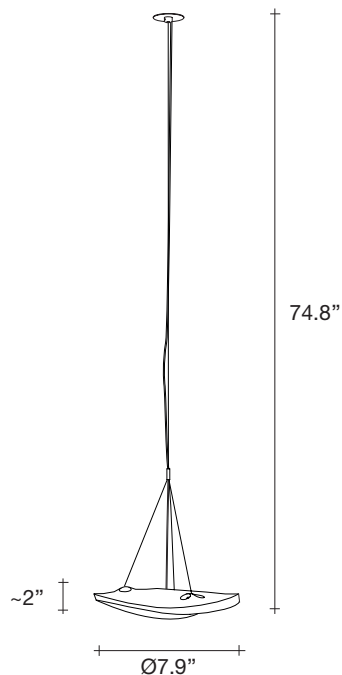
**Finishes | Code**



White disc/Clear  
OK011 E8 A9 KK

White canopy

Body |



**Integrated Led |**

120V ~ 50/60Hz

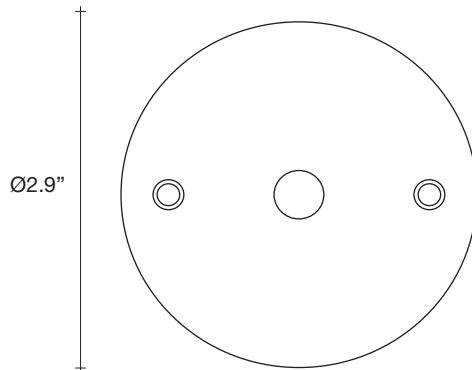
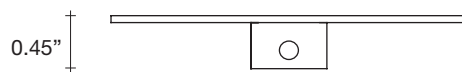


LED integrated  
1,5W 105 lm 3000K  
or optional 2700K



Not Dimmable

Disc |



Manta is the latest design featuring the distinctive lead crystal first unveiled in Nicolas Terzani's best-selling Mizu. Collaborating with designer Dodo Arslan, the two imaginative minds created a light featuring sinuous, undulating lines. The results are soft waves of crystal light reminiscent of being underwater. The innovative Manta is made of crystal, with a dimmable integrated LED lamp focused on maximizing the crystal's reflection. Manta's organic form is available in three sizes (Ø 20cm-7.9", Ø 26cm-10.2", Ø 32cm-12.6") and can be installed in numerous, customizable arrangements. Design Dodo Arslan & Nicolas Terzani.



6.2



**illuminations**

425 Peachtree Hills Ave. NE #3 Atlanta, GA 30305  
404.876.1064 sales@illumco.com

# Manta, Shimmering Waves.

design Dodo Arslan & Nicolas Terzani  
terzani.com



**Type |**  
Pendant

**Materials |**  
Clear crystal

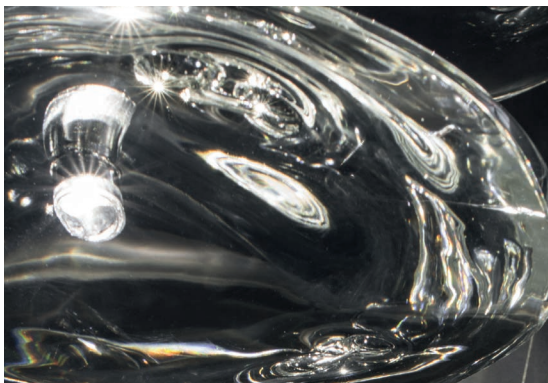
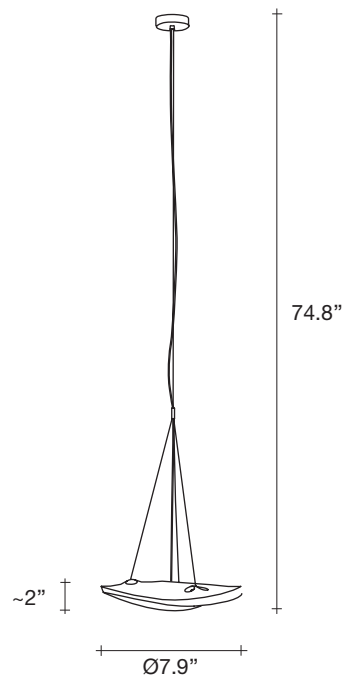
**Finishes | Code**



Clear  
OK011 E8 A9

White canopy

**Body |**



**Integrated Led |**

120V ~ 50/60Hz

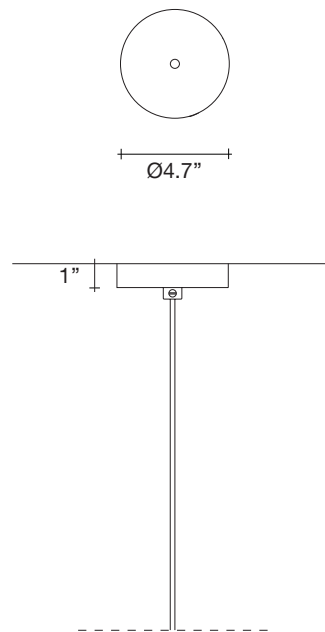


LED integrated  
1,5W 105 lm 3000K  
or optional 2700K



Not Dimmable

**Canopy |**



Manta is the latest design featuring the distinctive lead crystal first unveiled in Nicolas Terzani's best-selling Mizu. Collaborating with designer Dodo Arslan, the two imaginative minds created a light featuring sinuous, undulating lines. The results are soft waves of crystal light reminiscent of being underwater. The innovative Manta is made of crystal, with a dimmable integrated LED lamp focused on maximizing the crystal's reflection. Manta's organic form is available in three sizes (Ø 20cm-7.9", Ø 26cm-10.2", Ø 32cm-12.6") and can be installed in numerous, customizable arrangements. Design Dodo Arslan & Nicolas Terzani.



6.2



**illuminations**

425 Peachtree Hills Ave. NE #3 Atlanta, GA 30305  
404.876.1064 sales@illumco.com

# Manta, Shimmering Waves.

design Dodo Arslan & Nicolas Terzani  
terzani.com



**Type |**  
Pendant

**Materials |**  
Clear crystal

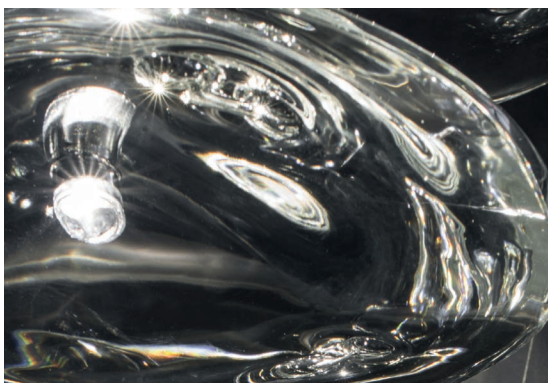
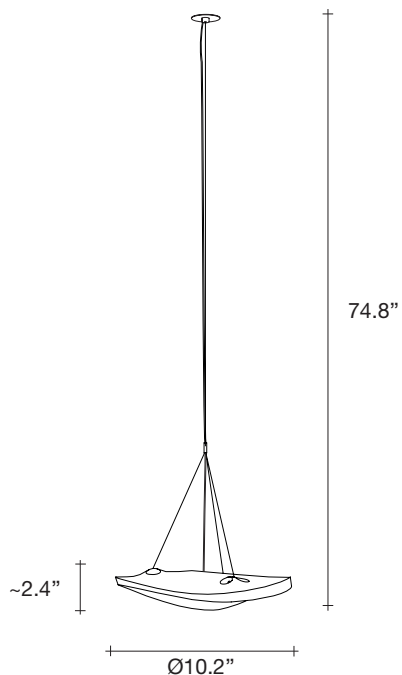
**Finishes | Code**



White disc/Clear  
OK012 E8 A9 KK

White canopy

Body |



**Integrated Led |**

120V ~ 50/60Hz

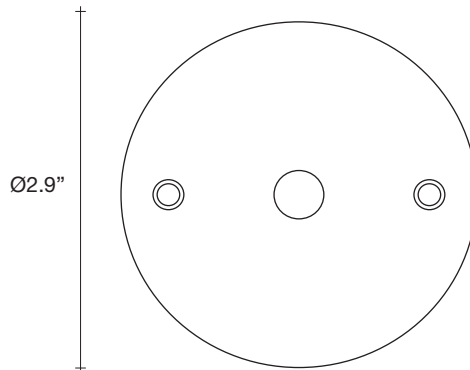
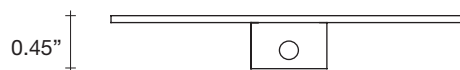


LED integrated  
1,5W 105 lm 3000K  
or optional 2700K



Not Dimmable

Disc |



Manta is the latest design featuring the distinctive lead crystal first unveiled in Nicolas Terzani's best-selling Mizu. Collaborating with designer Dodo Arslan, the two imaginative minds created a light featuring sinuous, undulating lines. The results are soft waves of crystal light reminiscent of being underwater. The innovative Manta is made of crystal, with a dimmable integrated LED lamp focused on maximizing the crystal's reflection. Manta's organic form is available in three sizes (Ø 20cm-7.9", Ø 26cm-10.2", Ø 32cm-12.6") and can be installed in numerous, customizable arrangements. Design Dodo Arslan & Nicolas Terzani.



11.5



**illumina**

425 Peachtree Hills Ave. NE #3 Atlanta, GA 30305  
404.876.1064 sales@illumco.com



# Manta, Shimmering Waves.

design Dodo Arslan & Nicolas Terzani  
terzani.com



**Type |**  
Pendant

**Materials |**  
Clear crystal

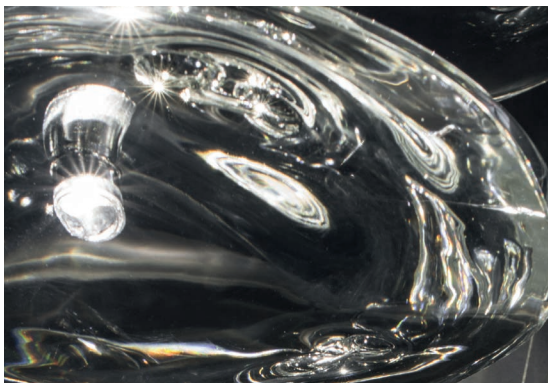
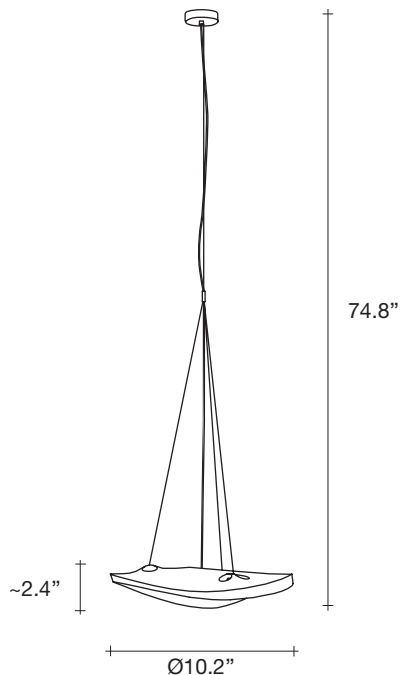
**Finishes | Code**



Clear  
OK012 E8 A9

White canopy

Body |



**Integrated Led |**

120V ~ 50/60Hz

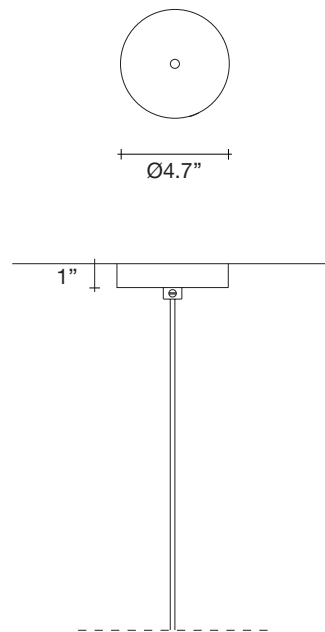


LED integrated  
1,5W 105 lm 3000K  
or optional 2700K



Not Dimmable

Canopy |



Manta is the latest design featuring the distinctive lead crystal first unveiled in Nicolas Terzani's best-selling Mizu. Collaborating with designer Dodo Arslan, the two imaginative minds created a light featuring sinuous, undulating lines. The results are soft waves of crystal light reminiscent of being underwater. The innovative Manta is made of crystal, with a dimmable integrated LED lamp focused on maximizing the crystal's reflection. Manta's organic form is available in three sizes (Ø 20cm-7.9", Ø 26cm-10.2", Ø 32cm-12.6") and can be installed in numerous, customizable arrangements. Design Dodo Arslan & Nicolas Terzani.



11.5



**illumina**

425 Peachtree Hills Ave. NE #3 Atlanta, GA 30305  
404.876.1064 sales@illumco.com

# Manta, Shimmering Waves.

design Dodo Arslan & Nicolas Terzani  
terzani.com



**Type |**  
Pendant

**Materials |**  
Clear crystal

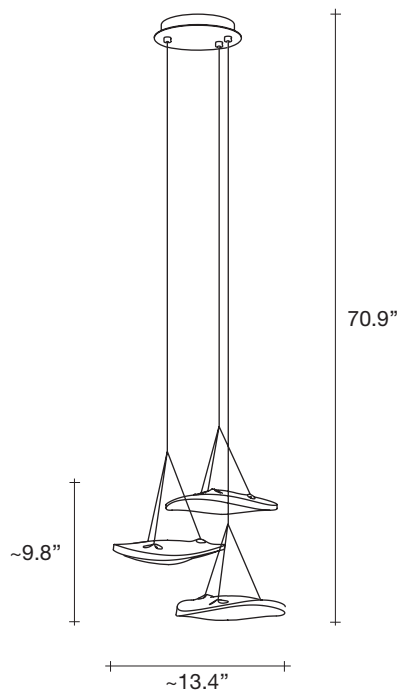
**Finishes | Code**



Clear  
OK031 E8 A9

White canopy

Body |



**Integrated Led |**

120V ~ 50/60Hz

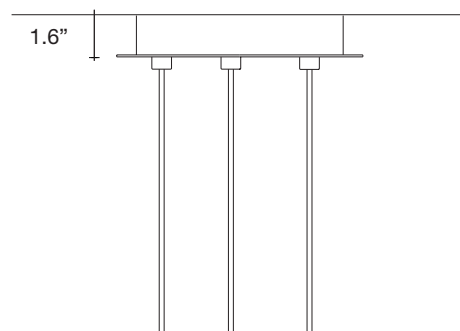
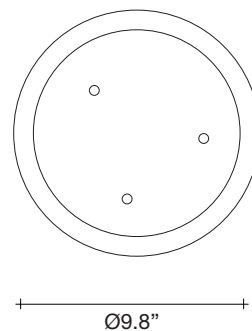


LED integrated  
3 x 1,5W 320 lm 3000K  
or optional 2700K



Dimmable with 1-10V and PUSH  
Dali system on request

Canopy |



Manta is the latest design featuring the distinctive lead crystal first unveiled in Nicolas Terzani's best-selling Mizu. Collaborating with designer Dodo Arslan, the two imaginative minds created a light featuring sinuous, undulating lines. The results are soft waves of crystal light reminiscent of being underwater. The innovative Manta is made of crystal, with a dimmable integrated LED lamp focused on maximizing the crystal's reflection. Manta's organic form is available in three sizes (Ø 20cm-7.9", Ø 26cm-10.2", Ø 32cm-12.6") and can be installed in numerous, customizable arrangements. Design Dodo Arslan & Nicolas Terzani.



18.2



**illumina**

425 Peachtree Hills Ave. NE #3 Atlanta, GA 30305  
404.876.1064 sales@illumco.com