


Calle, Perennial *Elegance.*

design Luca Martorano+Mattia Albicini
terzani.com



Type | suspension
Materials | clear crystal (24% lead)

Finishes | **Code**
White/
Clear  OT03S E8 A9

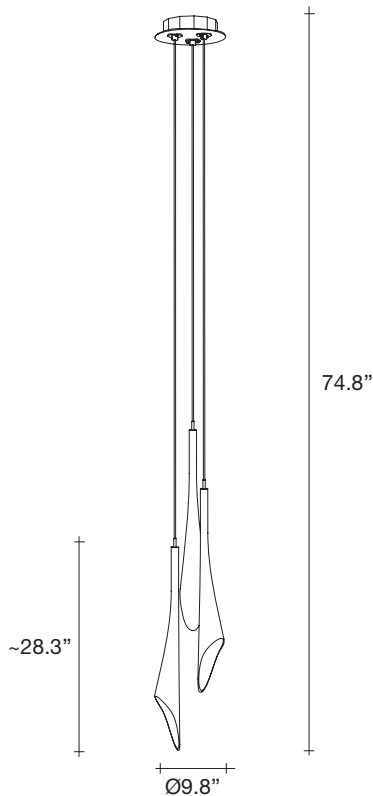
Light Source |



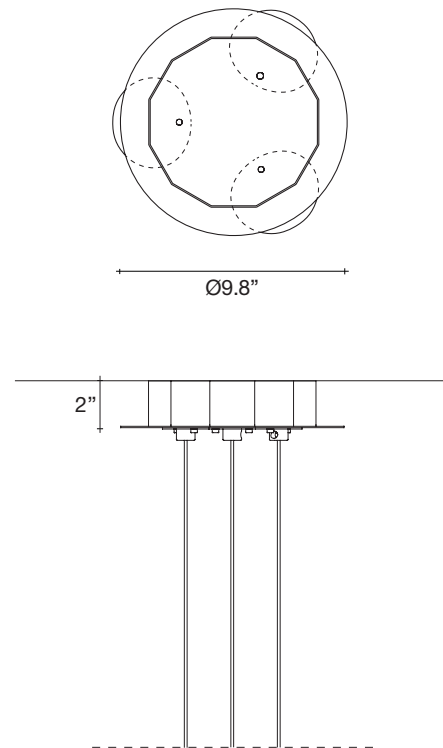
At Terzani, we spend countless days searching the globe for talented new designers, but sometimes they find us. Such is the case with the young designers Luca Martorano and Mattia Albicini who approached us with the design for Calle, a fantastic new light we instantly fell in love with. It showcases our skill at crafting crystal to take the material to an exciting, modern place. Luca and Mattia worked with our craftsmen to create a slender inverted flute of 24% lead crystal that, like the calla lily it mimics, can be grouped into stunning bouquets of light.



Body |



Canopy |




illuminations
425 Peachtree Hills Ave. NE #3 Atlanta, GA 30305
404.876.1064 sales@illumco.com

Calle, Perennial *Elegance.*

design Luca Martorano+Mattia Albicini
terzani.com



Type | pendant
Materials | clear crystal (24% lead)

Finishes | **Code**
White/
Clear  OT05S E8 A9

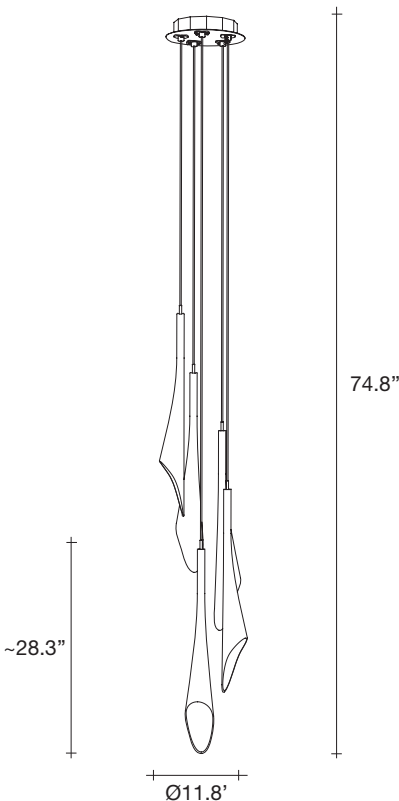
Light Source |



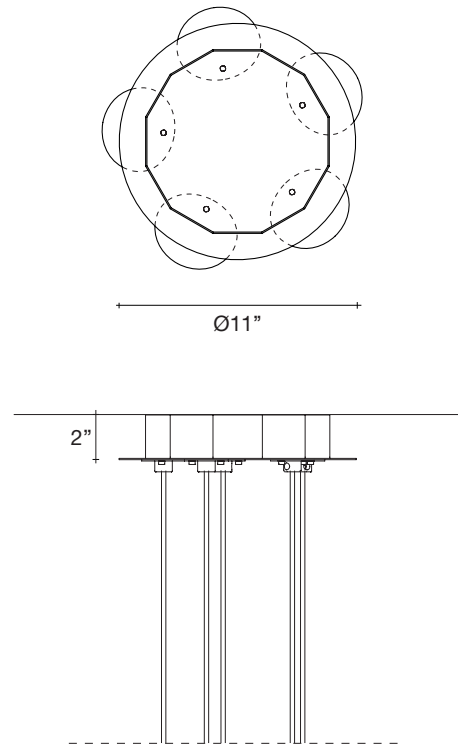
At Terzani, we spend countless days searching the globe for talented new designers, but sometimes they find us. Such is the case with the young designers Luca Martorano and Mattia Albicini who approached us with the design for Calle, a fantastic a new light we instantly fell in love with. It showcases our skill at crafting crystal to take the material to an exciting, modern place. Luca and Mattia worked with our craftsmen to create a slender inverted flute of 24% lead crystal that, like the calla lily it mimics, can be grouped into stunning bouquets of light.



Body |



Canopy |



illuminations
425 Peachtree Hills Ave. NE #3 Atlanta, GA 30305
404.876.1064 sales@illumco.com