





Atlantis, a Precious Wave.

design Barlas baylar
terzani.com



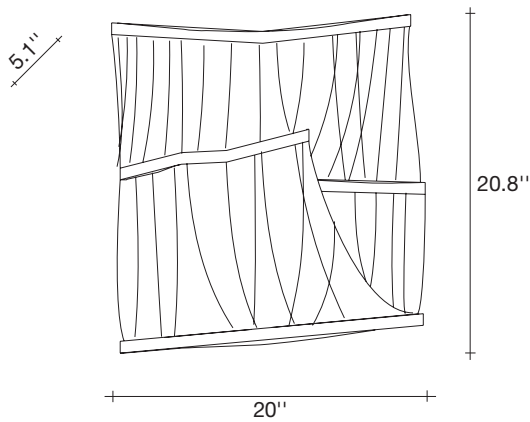
Type		wall
Materials		brass chains and metal structure plated as below
Finishes		Code
Nickel		 0J03A E7 C8
Gold		 0J03A L6 C8
Black Nickel		 0J03A E9 C8
Bronze		 0J03A F7 C8

Seemingly alive, atlantis' shimmering light creates a vibrant source of energy. Its mesmerizing, organic effect is created by hundreds of illuminated lengths of draped, nickel chain. Like water in the ocean, atlantis' chains appear liquid, cascading over its gloss nickel bands and falling down towards the abyss before turning back into itself. Design barlas baylar.

Light Source |



Body |



Canopy |

