


# Angel Falls, Cast down, *Earth.*

design Nigel Coates  
terzani.com



**Type** | Suspension (7 angels)  
**Materials** | Clear

**Finishes** | **Code**  
Brushed nickel/  
Clear  0Q07S H4 A9

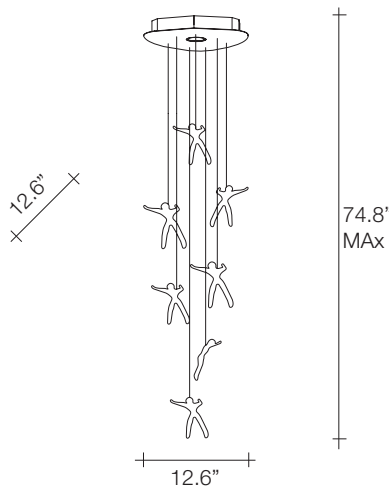
**Light Source** |



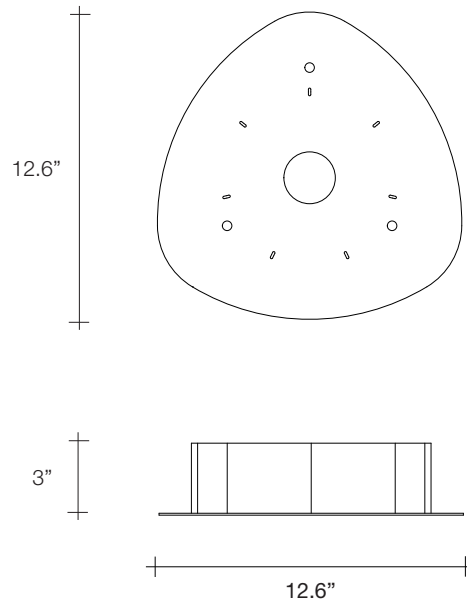
For his latest work for Terzani, Nigel Coates, well known for his unorthodox approach to design, has created an engaging, unique light. Customizable groups of crystal (24% lead) "angels" are illuminated by halogen lamps. What caused these angels to fall from the heavens? It's up to the viewers to decide. Either way, angel falls is sure to garner attention, and generate conversation, in any setting. Design Nigel Coates.



**Body** |




**Canopy** |



# Angel Falls, Cast down, *Earth.*

design Nigel Coates  
terzani.com



**Type** | Suspension (12 angels)  
**Materials** | Clear  
**Finishes** | **Code**  
 Brushed nickel/ Clear  0Q12S H4 A9

For his latest work for Terzani, Nigel Coates, well known for his unorthodox approach to design, has created an engaging, unique light. Customizable groups of crystal (24% lead) "angels" are illuminated by halogen lamps. What caused these angels to fall from the heavens? It's up to the viewers to decide. Either way, angel falls is sure to garner attention, and generate conversation, in any setting. Design Nigel Coates.

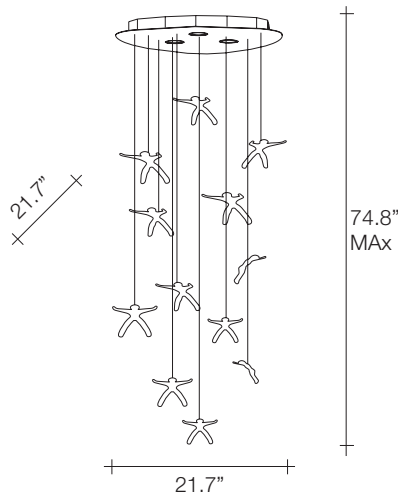
**Light Source |**



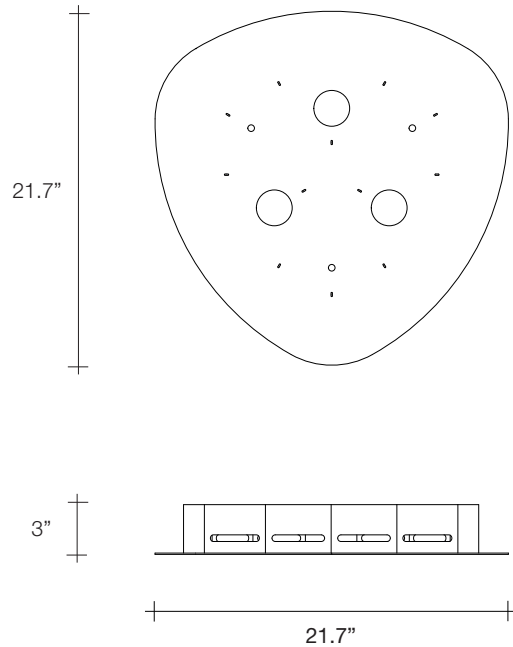
Halogen  
3X50W GU10



**Body |**



**Canopy |**



 19.8  
13.2

 14.3  
5.5

  
 425 Peachtree Hills Ave. NE #3 Atlanta, GA 30305  
 404.876.1064 sales@illumco.com

# Angel Falls, Cast down, *Earth.*

design Nigel Coates  
terzani.com



**Type** | Suspension (18 angels)  
**Materials** | Clear

**Finishes** | **Code**

Brushed nickel/  
Clear  00Q11S H4 A9

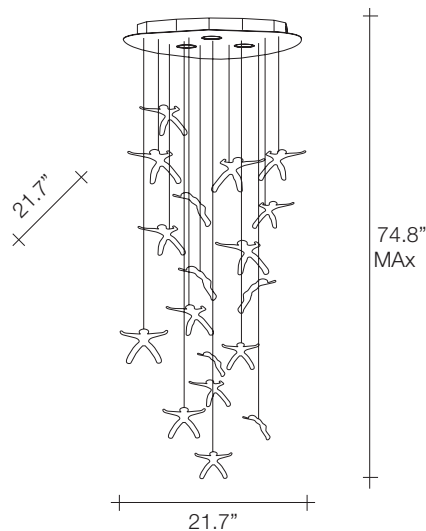
**Light Source** |



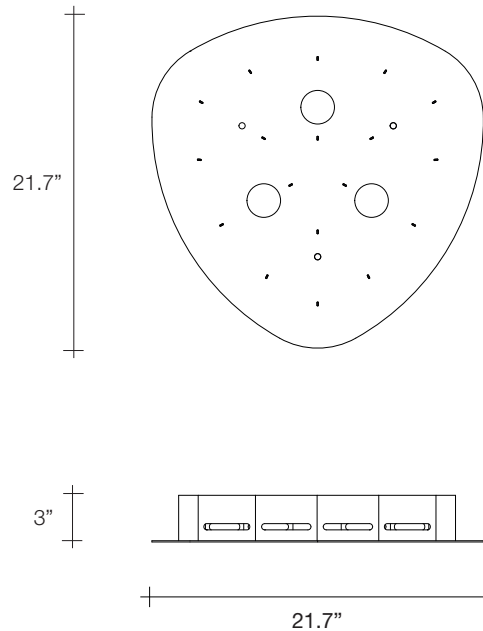
For his latest work for Terzani, Nigel Coates, well known for his unorthodox approach to design, has created an engaging, unique light. Customizable groups of crystal (24% lead) "angels" are illuminated by halogen lamps. What caused these angels to fall from the heavens? It's up to the viewers to decide. Either way, angel falls is sure to garner attention, and generate conversation, in any setting. Design Nigel Coates.



**Body** |



**Canopy** |



 19.8  
16.5


 14.3  
7.7

  
425 Peachtree Hills Ave. NE #3 Atlanta, GA 30305  
404.876.1064 sales@illumco.com

# Angel Falls, Cast down, *Earth.*

design Nigel Coates  
terzani.com



**Type** | Suspension (24 angels)  
**Materials** | Clear  
**Finishes** | **Code**  
 Brushed nickel/ Clear  0Q10S H4 A9

For his latest work for Terzani, Nigel Coates, well known for his unorthodox approach to design, has created an engaging, unique light. Customizable groups of crystal (24% lead) "angels" are illuminated by halogen lamps. What caused these angels to fall from the heavens? It's up to the viewers to decide. Either way, angel falls is sure to garner attention, and generate conversation, in any setting. Design Nigel Coates.

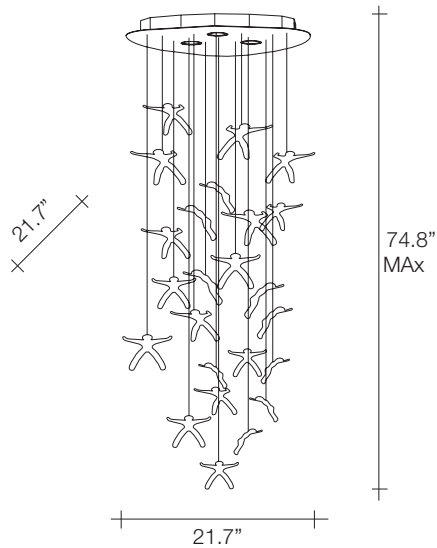
**Light Source |**



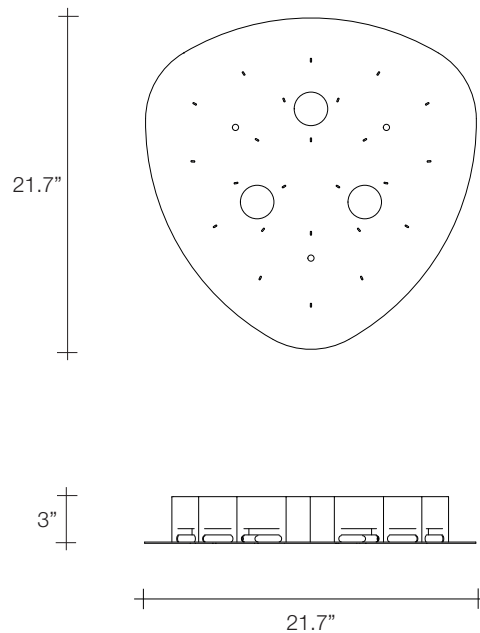
Halogen  
3X50W GU10



**Body |**




**Canopy |**



# Angel Falls, Cast down, *Earth.*

design Nigel Coates  
terzani.com



**Type** | Suspension (36 angels)  
**Materials** | Clear  
**Finishes** | **Code**  
 Brushed nickel/ Clear  0Q13S H4 A9

For his latest work for Terzani, Nigel Coates, well known for his unorthodox approach to design, has created an engaging, unique light. Customizable groups of crystal (24% lead) "angels" are illuminated by halogen lamps. What caused these angels to fall from the heavens? It's up to the viewers to decide. Either way, angel falls is sure to garner attention, and generate conversation, in any setting. Design Nigel Coates.

**Light Source |**

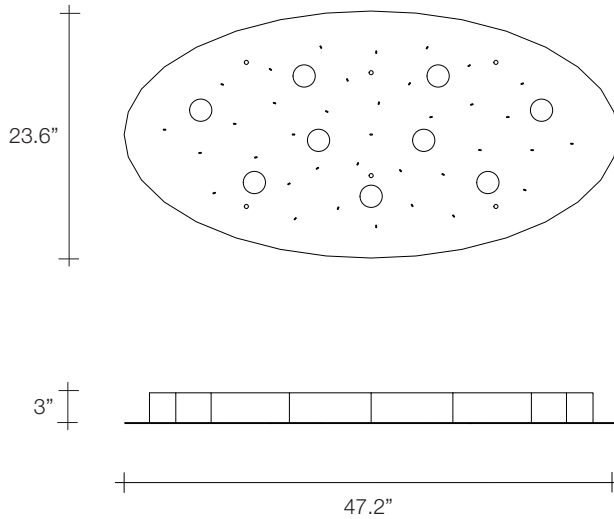
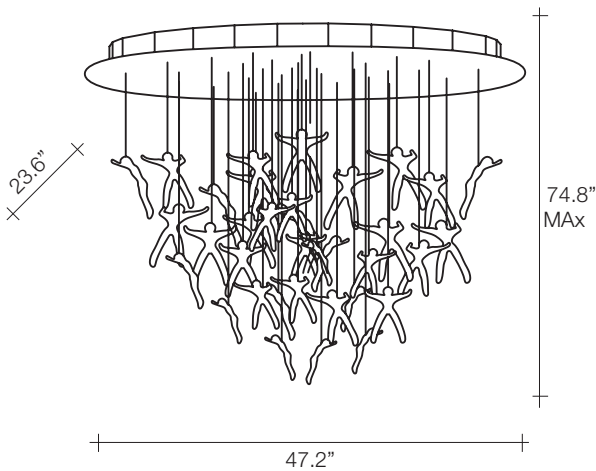


Halogen  
9X35W GU10



**Body |**

**Canopy |**



 41.9  
35.3

 33.1  
22

  
 425 Peachtree Hills Ave. NE #3 Atlanta, GA 30305  
 404.876.1064 sales@illumco.com