

# SLAMP®

THE LEADING LIGHT

LA TRAVIATA

design by  
ROBERT WILSON

## LA TRAVIATA 220 TECHNICAL SHEET

### DESCRIPTION:

La Traviata is composed by a main structure in semisatin opalin PMMA and individual elements, "arrows", constructed by patented two-dimensional techno-polymer sheets of Lentiflex®.

Due to the transparency and ability to liquify light, selected elements in Lentiflex® are illuminated with the use of custom RGB LED modules.

Each of the edges of the individual arrows are sealed with the use of an injection molded piece in polycarbonate. The main structure is illuminated with the use of custom LED in warm white.

### LED LIGHT SOURCES DOUBLE SWITCH

#### MAIN ARROW:

- 100 W (100-240 Vac power supply)
- 7500 Lumen - 2700 Kelvin (warm white)
- DIMMABLE

#### INDIVIDUAL ARROWS:

- 13 custom high brightness RGB modules in selected elements
- 18 W - 24 Vdc - 350 Lumen
- DIMMABLE

### FEATURES:

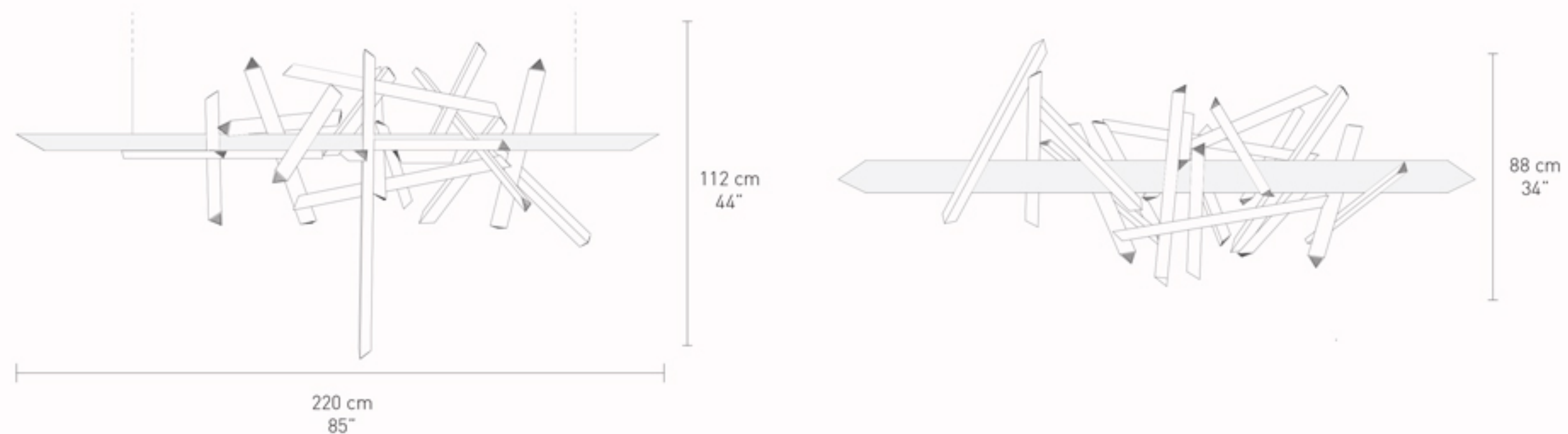
#### MATERIAL:

- Semisatin opalin PMMA (main arrow)
- Lentiflex® (individual arrows)

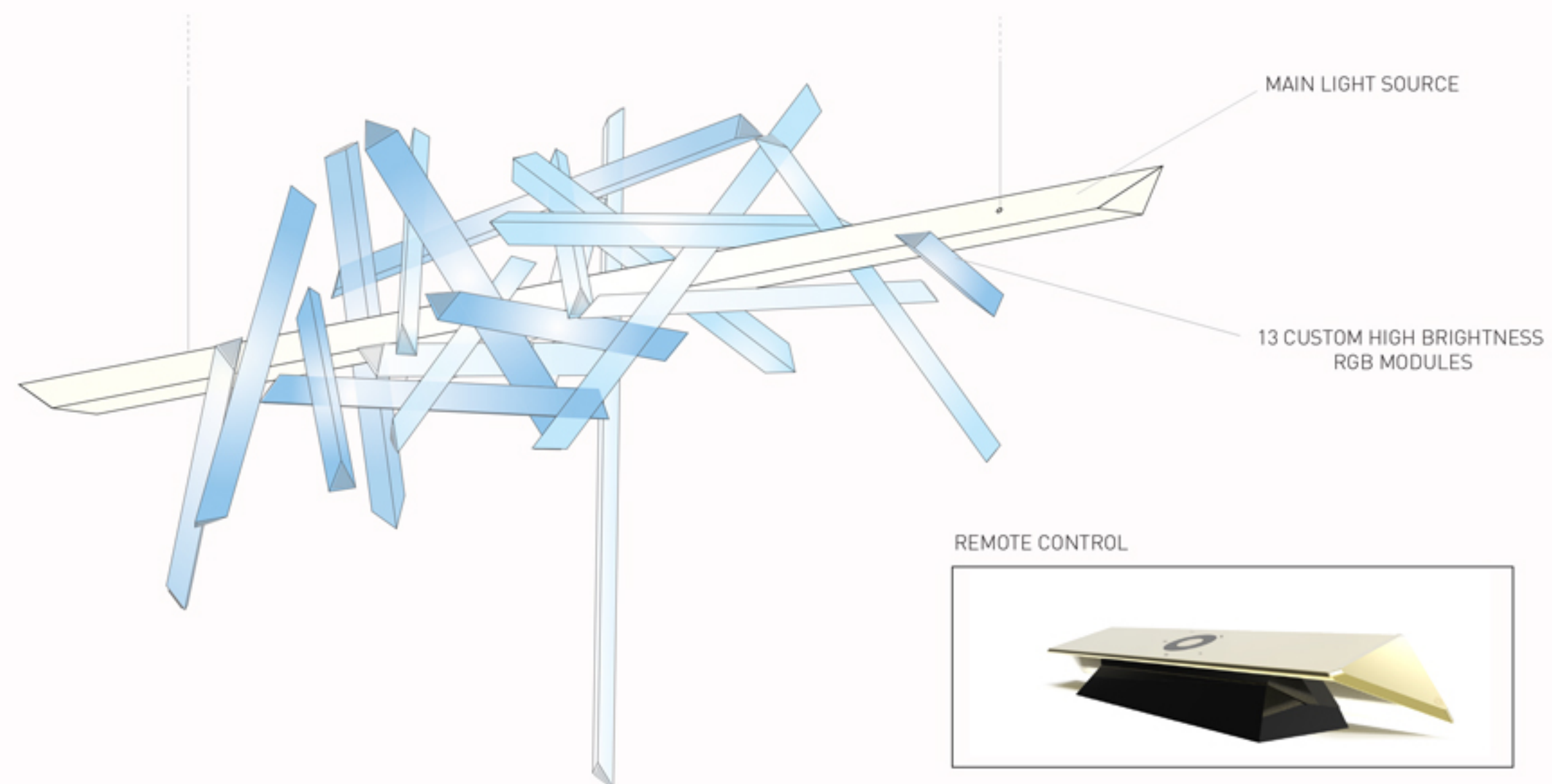
#### SWITCHING:

- External Remote control
- Environment: Indoor

### DIMENSION



### LIGHT SOURCES



**illuminations**

425 Peachtree Hills Ave. NE #3 Atlanta, GA 30305  
404.876.1064 sales@illumco.com