

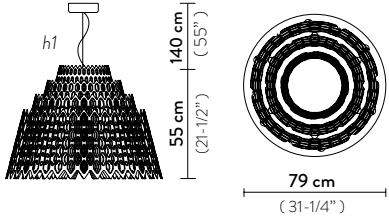


HALF CHARLOTTE

by Doriana and Massimiliano Fuksas



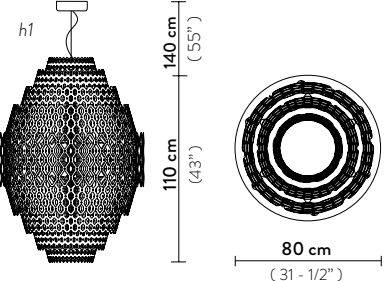
Compendium page 40

PRODOTTI	MISURE	COLORI	CODICE
<p>SUSPENSION</p> <p>LED:</p> <p>70W - 220V - 7.000 Lumen 2700 Kelvin (warm white) - CRI > 90 Triac Dimmable (Trailing Edge min. 20W)</p> <p>Made of: Cristlaflex® / Lentiflex®</p> <p>Weight: net Kg 5 - gross Kg 11,65 Package: 92 x 92 x h. 68 cm</p> <p>CE IP 20  </p>	 <p>h1: maximum cable length</p>	<p><input type="checkbox"/> WHITE</p>	<p>CHR88SOS0003W_000</p>

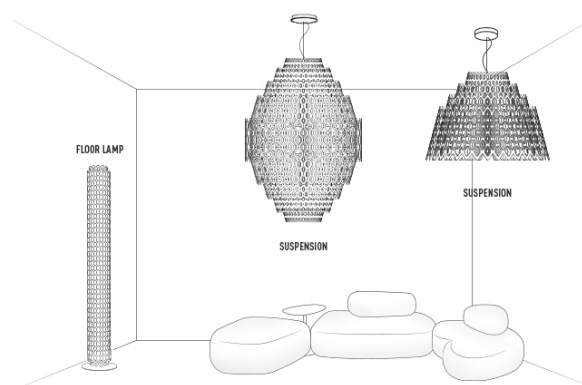
CHARLOTTE

design by Doriana and Massimiliano Fuksas



Compendium page 40

PRODOTTI	MISURE	COLORI	CODICE
<p>SUSPENSION</p> <p>LED:</p> <p>140W - 220V - 14.000 Lumen 2700 Kelvin (warm white) - CRI > 90 Triac Dimmable (Trailing Edge min. 20W)</p> <p>Made of: Cristlaflex® / Lentiflex®</p> <p>Weight: net Kg 9 - gross Kg 22,5 Package: 95x 95 x h. 120 cm</p> <p>CE IP 20  </p>	 <p>h1: maximum cable length</p>	<p><input checked="" type="checkbox"/> ORANGE</p> <p><input type="checkbox"/> BLUE</p> <p><input type="checkbox"/> WHITE</p>	<p>CHR88SOS0004A_000</p> <p>CHR88SOS0004B_000</p> <p>CHR88SOS0004W_000</p>

CHARLOTTE ENTIRE COLLECTION





ENERGY CLASS

This luminaire contains built-in LED lamps.  LED 

The lamp can be changed in the luminaire.

SLAMP: CHARLOTTE 874/2012

This luminaire contains built-in LED lamps.  LED 

The lamp can be changed in the luminaire.

SLAMP: HALF CHARLOTTE 874/2012