

Tekiò ('adaptation' in Japanese) consists of a lighting system based on LED wstructures covered with paper modules. By combining various modules, Tekiò presents vertical pendant lamps, horizontal lines and circles.
 In its design Anthony Dickens was inspired by the traditional Japanese paper lantern that is ubiquitous throughout Asia, and in its production Santa & Cole has worked with some of Japan's best craftsmen, combining traditional processes, high quality materials and new technologies.
 Paper is a ductile, even malleable material; its folds makes it more resistant and time alters and improves its translucence.

General description:

White S&C metal structure with matte finish.
 Washi Japanese paper shade.
 Structure length:
 (A) 67 cm / 26.4"
 (B) 120 cm / 47.2"
 (C) 173 cm / 68.1"
 (D) 226 cm / 89"
 White S&C metallic circular ceiling plate with power supply incorporated.
 Methacrylate inner diffuser.
 Electric cable length: 5 m / 196.8"

Light source:

Light source included.

(A) Strip of 204 LEDs
 Power system: 43 W / UL-34 W
 Luminous flux: 1.251 lm

(B) Strip of 368 LEDs
 Power system: 73 W / UL-56 W
 Luminous flux: 2.190 lm

(C) Strip of 532 LEDs
 Power system: 100 W / UL-73 W
 Luminous flux: 3.128 lm

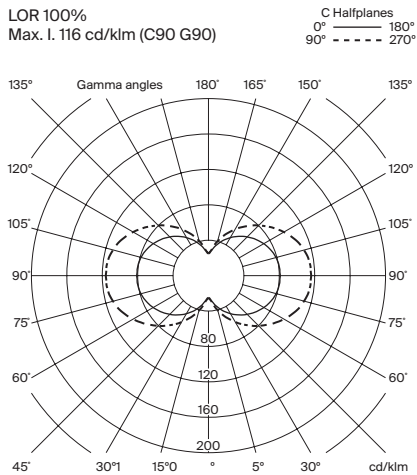
(D) Strip of 696 LEDs
 Power system: 120 W / UL-87 W
 Luminous flux: 4.067 lm

(A, B, C, D)
 Operating voltage: 24VDC
 T° Colour: 2.200K - 2.700K
 CRI: 85
 Lifetime: 40.000 h

Built-in LED
 Suitable for dimming 1-10V / UL 0-10V. (Not included external dimmer switch 1-10V / UL 0-10V). Warm dim control 2200K- 2700K.
 Energy efficiency class (E.E.C):
 A++... A.
 Suitable only for indoor use.
 Always use this light source.

Input voltage:
 CE: 220 ~ 240 Vac.
 UL: 120 ~ 277 Vac.
 Japan: 100 Vac.
 (50 Hz / 60 Hz). According to destination.

Tekiò Vertical
Anthony Dickens. 2017
Pendant lamps



Approximate weight (unpacked):

- (A) Tekiò Vertical P1: 3 Kg / 6.6 lb
- (B) Tekiò Vertical P2: 4,5 Kg / 9.9 lb
- (C) Tekiò Vertical P3: 6 Kg / 13.2 lb
- (D) Tekiò Vertical P4: 7,5 Kg / 16.5 lb

Regulations:

CE
UNE-EN 60598
UNE-EN 55015
UNE-EN 60529

UL

Dry location only
UL-1598
UL-8750
E-336377

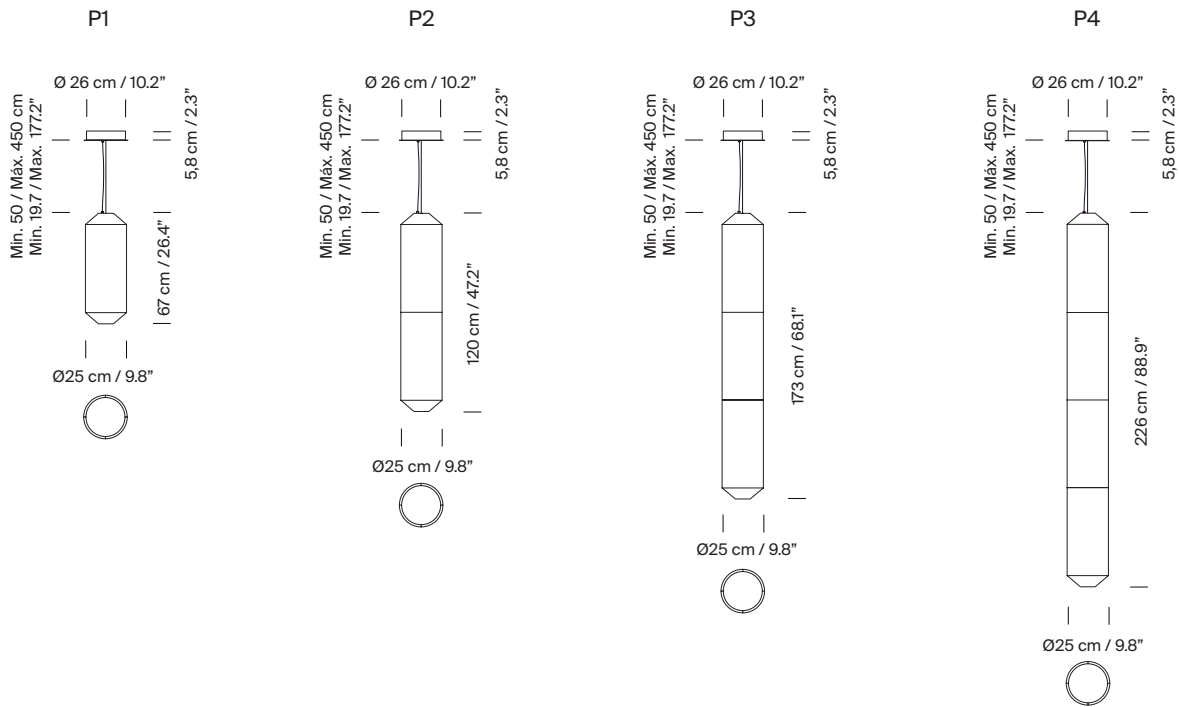
Maintenance:

Clean with a smooth cloth. Do not use ammonia, solvents or abrasive cleaning products. Do not expose to oil vapors or fats.

Others:

The lamp is delivered in different packages.
The assembly instructions are delivered with the product.

Models: Tekiò Vertical



Collection:
 Pendant lamps



Tekiò Vertical



Tekiò Horizontal



Tekiò Circular