

NIVÉL PENDANT

DESCRIPTION

Redefining the future in pendant illumination, Nivel's pure and elegant silhouette features a colorful pallet of spun shade forms combined with an articulating flat panel LED light engine that pivots gracefully on axis to focus light downward or as a wall wash to provide seamless light control for any space. Nivel pendant can be suspended individually or in large multi-light clusters powered by a single hardwired canopy allowing the user to reposition the lights to any desired height, span and directionality. Available in 2 sizes: 15" (38cm) and 22" (56cm) and 6 powder coated finishes in matte white, Terracotta, Forest Green, Slate Blue, Espresso and textured black with choice of black or white fabric cord and ceiling canopy.

FIXTURE TYPE

Pendant

LIGHT SOURCE

LED Flat-Panel

LIGHT CONTROL

Hard wired (Triac transformer) full-range dim
ELV dimmer recommended

FEATURES

45° shade tilt in two directions

SPECIFICATIONS

Voltage : 120-240V 50/60Hz
Power Consumption : 10.5W
Color Temperature : 2700K
Luminosity : 800 Lumens
Luminaire efficacy : 76 Lumens/Watt
Color Rendition Index: 90 CRI
Title 20 compliant
50k hour lifespan
Cable length: 10' (305cm)

CERTIFICATIONS



FINISHES

CORD



BLACK



WHITE

SHADE



BLACK



WHITE



TERRACOTTA



FOREST



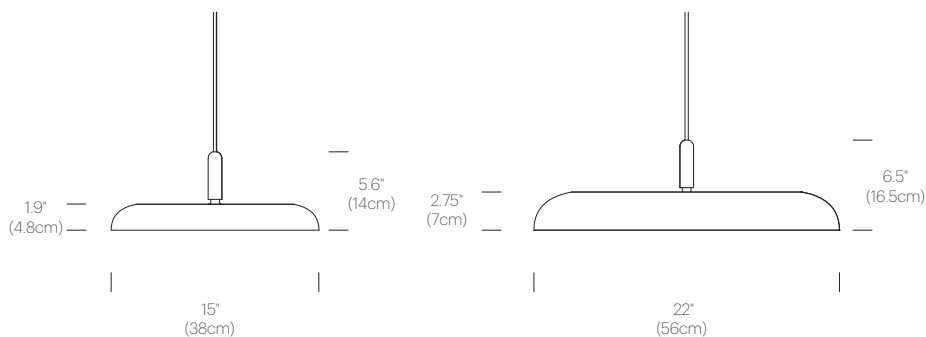
SLATE



ESPRESSO

DIMENSIONS

NIVÉL PENDANT



PACKAGING WEIGHT AND DIMENSIONS

Nivel Pendant 15	7LBS	17" X 17" X 5"
	3KG	43cm X 43cm X 12cm
Nivel Pendant 22	11LBS	24" X 24" X 6"
	5KG	60cm X 60cm X 15cm

NOTES

Custom requests can be considered on volume orders

Pablo

