

LINK TABLE

DESCRIPTION

Link modernizes the classic pantograph task lamp, incorporating the most advanced LED lighting technology to date. Designed with a dual-purpose shade/handle, Link seamlessly balances performance and style to satisfy focused lighting needs in any environment. The wide range of Link models include medium and small table, floor, clamp, and wall mount options to accommodate all residential, office, and hospitality task lighting applications.

FIXTURE TYPE

Table

LIGHT SOURCE

(99x) High-output LED array

PRODUCT CODES

Link Medium Table (Silver):	LINK MED TBL SLV
Link Medium Table (White):	LINK MED TBL WHT
Link Medium Table (Black):	LINK MED TBL BLK
Link Medium Table (Orange):	LINK MED TBL ORG
Link Medium Table (Green):	LINK MED TBL GRN
Link Small Table (Silver):	LINK SML TBL SLV
Link Small Table (White):	LINK SML TBL WHT
Link Small Table (Black):	LINK SML TBL BLK
Link Small Table (Orange):	LINK SML TBL ORG
Link Small Table (Green):	LINK SML TBL GRN

LIGHT CONTROL

Rocker switch (high, low, off)

FEATURES

- 360° rotation at base
- Full-range height adjustability
- 180° front to back head tilt
- Advanced LED array eliminates multiple shadows
- Ships flat-packed
- OCC model available upon request

SPECIFICATIONS

- Voltage: 120/220V 60Hz
- Power Consumption: 7W
- Color Temperature: 3000K
- Luminosity: 305 Lumens
- Luminaire efficacy: 44 Lumens/Watt
- Color Rendition Index: 90 CRI
- 50K hour lifespan
- Cord length: 8' (244cm)
- Global multi-plug adapter available
- 1 year warranty

CERTIFICATIONS



PACKAGING WEIGHT AND DIMENSIONS

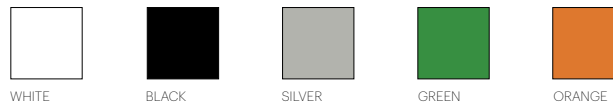
Link Small:	3.05LBS	33" X 6.5" X 4.5"
	1.4KGS	84cm X 17cm X 11cm
Link Medium:	3.25LBS	33" X 6.5" X 4.5"
	1.5KGS	84cm X 17cm X 11cm
Link Table Base:	7.65LBS	12.5" X 12" X 4"
	3.5KGS	32cm X 30cm X 10cm

NOTES

- Surface grommet mount available upon request
- Occupancy sensor model available upon request
- Custom requests can be considered on volume orders
- Link USB sold separately

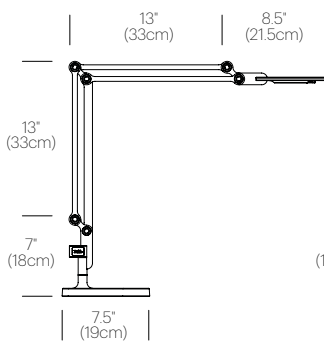


FINISHES

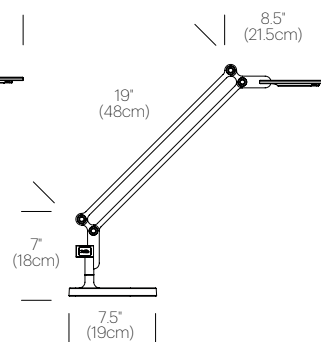


DIMENSIONS

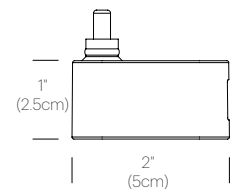
LINK MEDIUM TABLE



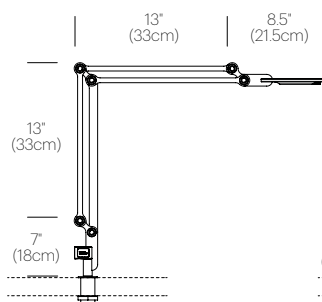
LINK SMALL TABLE



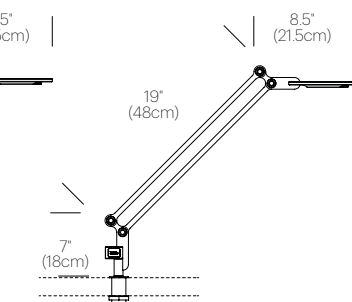
LINK USB



LINK MEDIUM SURFACE MOUNT



LINK SMALL SURFACE MOUNT



SURFACE MOUNT AVAILABLE FOR 2-1/2\"/>

LINK CLAMP

DESCRIPTION

Link modernizes the classic pantograph task lamp, incorporating the most advanced LED lighting technology to date. Designed with a dual-purpose shade/handle, Link seamlessly balances performance and style to satisfy focused lighting needs in any environment. The wide range of Link models include medium and small table, floor, clamp, and wall mount options to accommodate all residential, office, and hospitality task lighting applications.

FIXTURE TYPE

Table

LIGHT SOURCE

(99x) High-output LED array

PRODUCT CODES

Link Medium Clamp (Silver):	LINK MED CLP SLV
Link Medium Clamp (White):	LINK MED CLP WHT
Link Medium Clamp (Black):	LINK MED CLP BLK
Link Medium Clamp (Orange):	LINK MED CLP ORG
Link Medium Clamp (Green):	LINK MED CLP GRN
Link Small Clamp (Silver):	LINK SML CLP SLV
Link Small Clamp (White):	LINK SML CLP WHT
Link Small Clamp (Black):	LINK SML CLP BLK
Link Small Clamp (Orange):	LINK SML CLP ORG
Link Small Clamp (Green):	LINK SML CLP GRN

LIGHT CONTROL

Rocker switch (high, low, off)

FEATURES

- 360° rotation at base
- Full-range height adjustability
- 180° front to back head tilt
- Advanced LED array eliminates multiple shadows
- Hi-low dim control
- Ships flat-packed
- OCC model available upon request

SPECIFICATIONS

- Voltage: 120/220V 60Hz
- Power Consumption: 7W
- Color Temperature: 3000K
- Luminosity: 305 Lumens
- Luminaire efficacy: 44 Lumens/Watt
- Color Rendition Index: 90 CRI
- 50K hour lifespan
- Cord length: 8' (244cm)
- Global multi-plug adapter available
- 1 year warranty

CERTIFICATIONS



PACKAGING WEIGHT AND DIMENSIONS

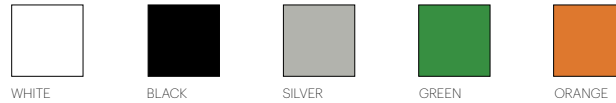
Link Clamp Small:	3.4LBS	33.5" X 7" X 4.5"
	1.5KGS	85cm X 18cm X 11cm
Link Clamp Medium:	3.6LBS	33" X 6.5" X 4.5"
	1.6KGS	84cm X 17cm X 11cm

NOTES

- Surface grommet mount available upon request
- Occupancy sensor model available upon request
- Custom requests can be considered on volume orders
- Link USB sold separately

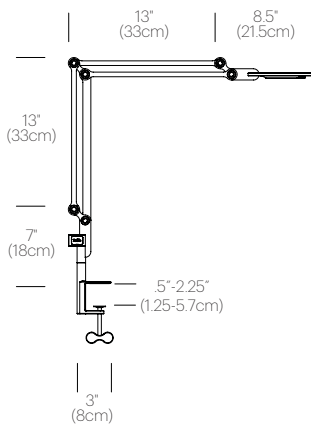


FINISHES

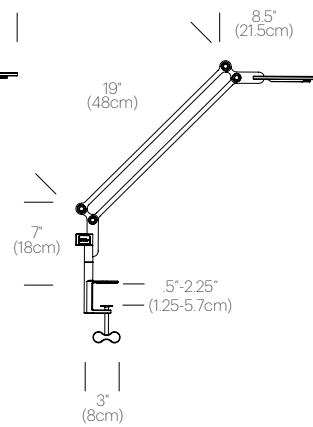


DIMENSIONS

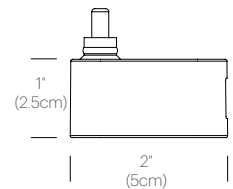
LINK MEDIUM CLAMP



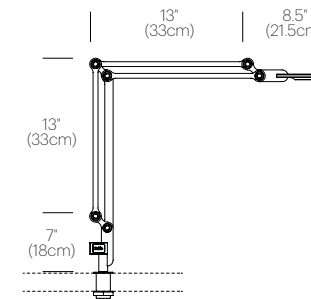
LINK SMALL CLAMP



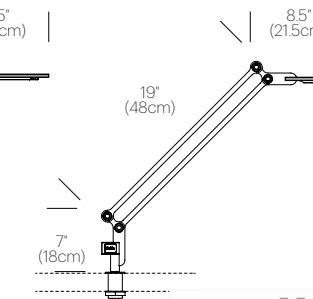
LINK USB



LINK MEDIUM SURFACE MOUNT



LINK SMALL SURFACE MOUNT



SURFACE MOUNT AVAILABLE FOR 2-1/2" (5-3cm)
AND 1-2-3" (3-7.6cm) WORKSURFACES