

ELLISSE PENDANT MINOR

Federico Palazzari

LED pendant provides diffused orientable uplight or downlight.

Made from extruded aluminum in different finishes: matt lacquered white, black or gold, or polished in natural or gold. Equipped with an opal diffuser. The lamps are made using a proprietary extrusion coupling technology.



DOWNLIGHT 2700K

LAMPING

Source	linear LED
Total power	54W
Emission	diffused orientable
Switching	dimnable 1-10V
Tension	120V
Color temperature	2700K
Luminous flux	1780lm (luminous output)
Typ CRI	85
Energy class	A+
IP class	20
Dimensions	37.8 x 15.7 x 0.8
Materials	Aluminum + PC
Notes	adjustable cable length 8.2' max, DALI version on request
Net lamp weight	11 lbs

Codes

ELP LW2 52
ELP LN2 52
ELP LO2 52
ELP LL2 52
ELP LGW 52

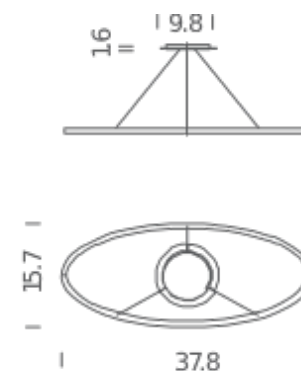
Structure

white
black
gold painted
polished aluminum
gold polished anodized

PACKAGE

Package 01 Dimension: 31.5 x 59.1 x 5.9 inches / Gross weight: 16.5 lbs

Certificazioni



DOWNLIGHT 3000K

LAMPING

Source	linear LED
Total power	54W
Emission	diffused orientable
Switching	dimnable 1-10V
Tension	120V
Color temperature	3000K
Luminous flux	1780lm (luminous output)
Typ CRI	85
Energy class	A+
IP class	20
Dimensions	37.8 x 15.7 x 0.8
Materials	Aluminum + PC
Notes	adjustable cable length 8.2' max, DALI version on request
Net lamp weight	11 lbs

Codes

ELP LWW 52
ELP LNW 52
ELP LOW 52
ELP LLW 52

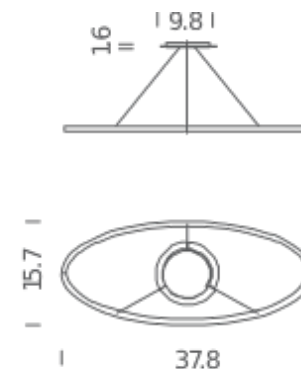
Structure

white
black
gold painted
polished aluminum

PACKAGE

Package 01 Dimension: 31.5 x 59.1 x 5.9 inches / Gross weight: 16.5 lbs

Certificazioni



UPLIGHT 2700K

LAMPING

Source	linear LED
Total power	54W
Emission	diffused orientable
Switching	dimnable 1-10V
Tension	120V
Color temperature	2700K
Luminous flux	1780lm (luminous output)
Typ CRI	85
Energy class	A+
IP class	20
Dimensions	37.8 x 15.7 x 0.8
Materials	Aluminum + PC
Notes	adjustable cable length 8.2' max, DALI version on request
Net lamp weight	11 lbs

Codes

ELP LW2 51
ELP LN2 51
ELP LO2 51
ELP LL2 51
ELP LGW 51

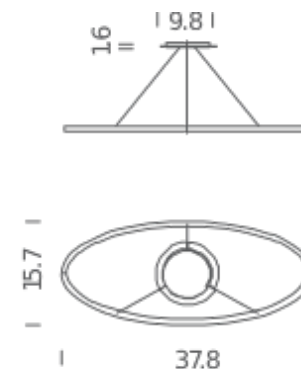
Structure

white
black
gold painted
polished aluminum
gold polished anodized

PACKAGE

Package 01 Dimension: 31.5 x 59.1 x 5.9 inches / Gross weight: 16.5 lbs

Certificazioni



UPLIGHT 3000K

LAMPING

Source	linear LED
Total power	54W
Emission	diffused orientable
Switching	dimnable 1-10V
Tension	120V
Color temperature	3000K
Luminous flux	1780lm (luminous output)
Typ CRI	85
Energy class	A+
IP class	20
Dimensions	37.8 x 15.7 x 0.8
Materials	Aluminum + PC
Notes	adjustable cable length 8.2' max, DALI version on request
Net lamp weight	11 lbs

Codes

ELP LWW 51
ELP LNW 51
ELP LOW 51
ELP LLW 51

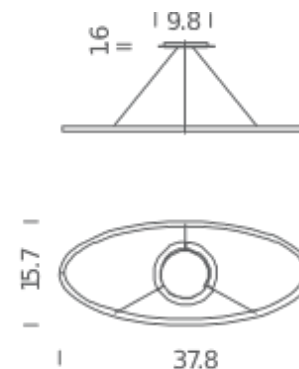
Structure

white
black
gold painted
polished aluminum

PACKAGE

Package 01 Dimension: 31.5 x 59.1 x 5.9 inches / Gross weight: 16.5 lbs

Certificazioni

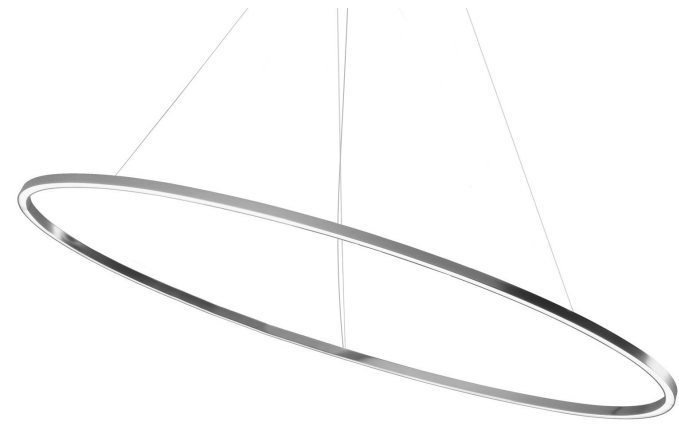


ELLISSE PENDANT MAJOR

Federico Palazzari

LED pendant provides diffused orientable uplight or downlight.

Made from extruded aluminum in different finishes: matt lacquered white, black or gold, or polished in natural or gold. Equipped with an opal diffuser. The lamps are made using a proprietary extrusion coupling technology.



DOWNLIGHT 2700K

LAMPING

Source	linear LED
Total power	85W
Emission	diffused orientable
Switching	dimnable 1-10V
Tension	120V
Color temperature	2700K
Luminous flux	2650lm (luminous output)
Typ CRI	85
Energy class	A+
IP class	20
Dimensions	53.1 x 27.6 x 0.8
Materials	Aluminum + PC
Notes	adjustable cable length max 8.2', DALI version on request
Net lamp weight	11 lbs

Codes

ELP LW2 54
ELP LN2 54
ELP LO2 54
ELP LL2 54
ELP LGW 54

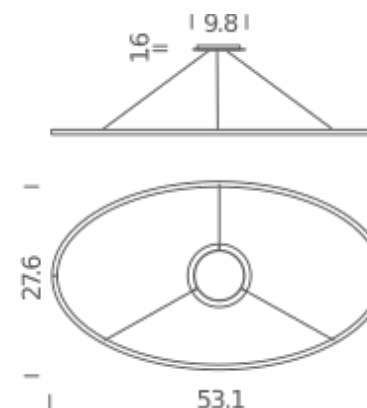
Structure

white
black
gold painted
polished aluminum
gold polished anodized

PACKAGE

Package 01 Dimension: 31.5 x 59.1 x 5.9 inches / Gross weight: 16.5 lbs

Certificazioni



DOWNLIGHT 3000K

LAMPING

Source	linear LED
Total power	85W
Emission	diffused orientable
Switching	dimnable 1-10V
Tension	120V
Color temperature	3000K
Luminous flux	2650lm (luminous output)
Typ CRI	85
Energy class	A+
IP class	20
Dimensions	53.1 x 27.6 x 0.8
Materials	Aluminum + PC
Notes	adjustable cable length max 8.2', DALI version on request
Net lamp weight	11 lbs

Codes

ELP LWW 54
ELP LNW 54
ELP LOW 54
ELP LLW 54

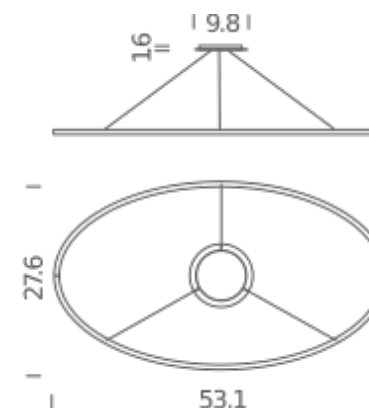
Structure

white
black
gold painted
polished aluminum

PACKAGE

Package 01 Dimension: 31.5 x 59.1 x 5.9 inches / Gross weight: 16.5 lbs

Certificazioni



UPLIGHT 2700K

LAMPING

Source	linear LED
Total power	85W
Emission	diffused orientable
Switching	dimnable 1-10V
Tension	120V
Color temperature	2700K
Luminous flux	2650lm (luminous output)
Typ CRI	85
Energy class	A+
IP class	20
Dimensions	53.1 x 27.6 x 0.8
Materials	Aluminum + PC
Notes	adjustable cable length max 8.2', DALI version on request
Net lamp weight	11 lbs

Codes

ELP LW2 53
ELP LN2 53
ELP LO2 53
ELP LL2 53
ELP LGW 53

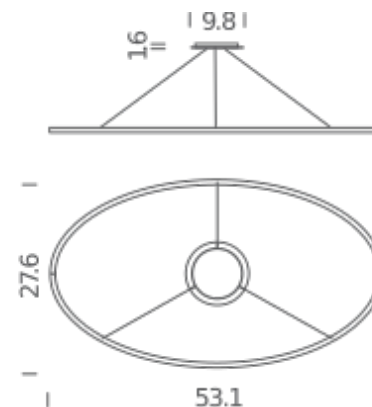
Structure

white
black
gold painted
polished aluminum
gold polished anodized

PACKAGE

Package 01 Dimension: 31.5 x 59.1 x 5.9 inches / Gross weight: 16.5 lbs

Certificazioni



UPLIGHT 3000K

LAMPING

Source	linear LED
Total power	85W
Emission	diffused orientable
Switching	dimnable 1-10V
Tension	120V
Color temperature	3000K
Luminous flux	2650lm (luminous output)
Typ CRI	85
Energy class	A+
IP class	20
Dimensions	53.1 x 27.6 x 0.8
Materials	Aluminum + PC
Notes	adjustable cable length max 8.2', DALI version on request
Net lamp weight	11 lbs

Codes

ELP LWW 53
ELP LNW 53
ELP LOW 53
ELP LLW 53

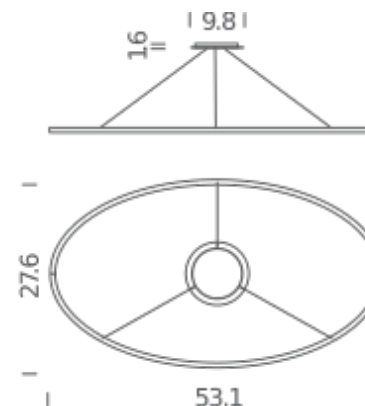
Structure

white
black
gold painted
polished aluminum

PACKAGE

Package 01 Dimension: 31.5 x 59.1 x 5.9 inches / Gross weight: 16.5 lbs

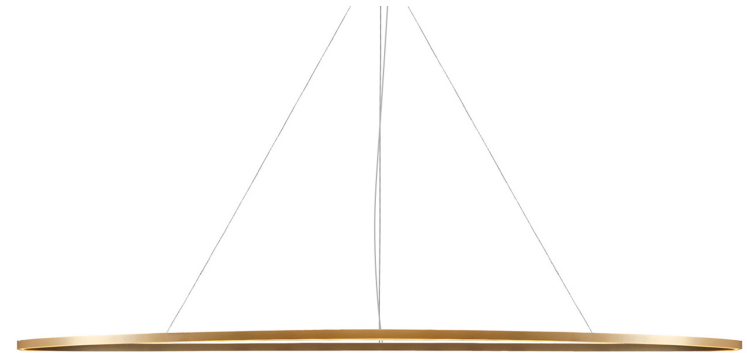
Certificazioni



ELLISSE PENDANT MEGA

Federico Palazzari

New oversized LED pendant provides diffused orientable uplight or downlight. Made from extruded aluminum in different finishes: matt lacquered white, black or gold. Equipped with an opal diffuser. The lamps are made using a proprietary extrusion coupling technology.



DOWNLIGHT | 2700K

LAMPING

Source	linear LED
Total power	85W
Emission	diffused orientable
Switching	dimnable 1-10V
Tension	120V
Color temperature	2700K
Luminous flux	4425lm (luminous output)
Typ CRI	85
Energy class	A+
IP class	20
Dimensions	73.2 x 37.4 x 8
Materials	Aluminum + PC
Notes	adjustable cable length 8.2' max, DALI version on request

Codes

ELP LW2 59
ELP LN2 59
ELP LO2 59

Structure

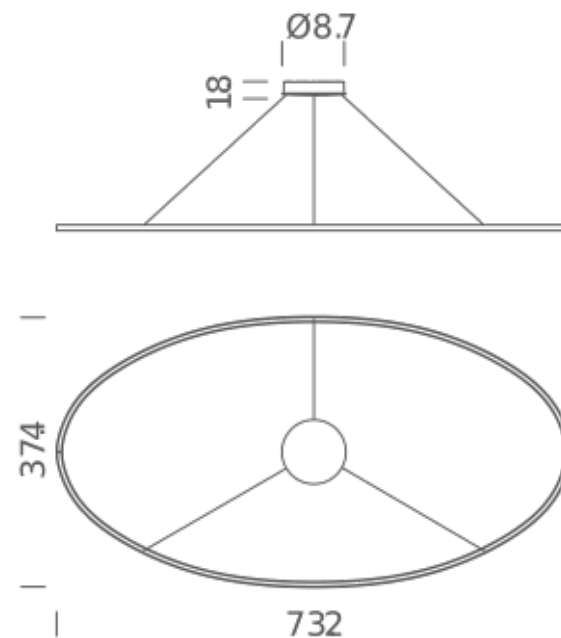
white
black
gold painted

PACKAGE

Package 01

Dimension: 5.5 x 39.8 x 79.1 inches / Gross weight: 16.5 lbs

Certificazioni



DOWNLIGHT | 3000K

LAMPING

Source	linear LED
Total power	85W
Emission	diffused orientable
Switching	dimnable 1-10V
Tension	120V
Color temperature	3000K
Luminous flux	4425lm (luminous output)
Typ CRI	85
Energy class	A+
IP class	20
Dimensions	73.2 x 37.4 x 8
Materials	Aluminum + PC
Notes	adjustable cable length 8.2' max, DALI version on request

Codes

ELP LWW 59
ELP LNW 59
ELP LOW 59

Structure

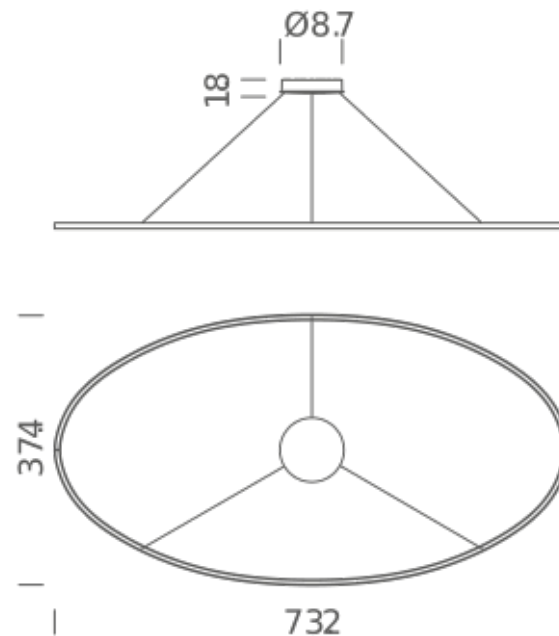
white
black
gold painted

PACKAGE

Package 01

Dimension: 5.5 x 39.8 x 79.1 inches / Gross weight: 16.5 lbs

Certificazioni



UPLIGHT | 2700K

LAMPING

Source	linear LED
Total power	85W
Emission	diffused orientable
Switching	dimnable 1-10V
Tension	120V
Color temperature	2700K
Luminous flux	4425lm (luminous output)
Typ CRI	85
Energy class	A+
IP class	20
Dimensions	73.2 x 37.4 x 8
Materials	Aluminum + PC
Notes	adjustable cable length 8.2' max, DALI version on request

Codes

ELP LW2 58
ELP LN2 58
ELP LO2 58

Structure

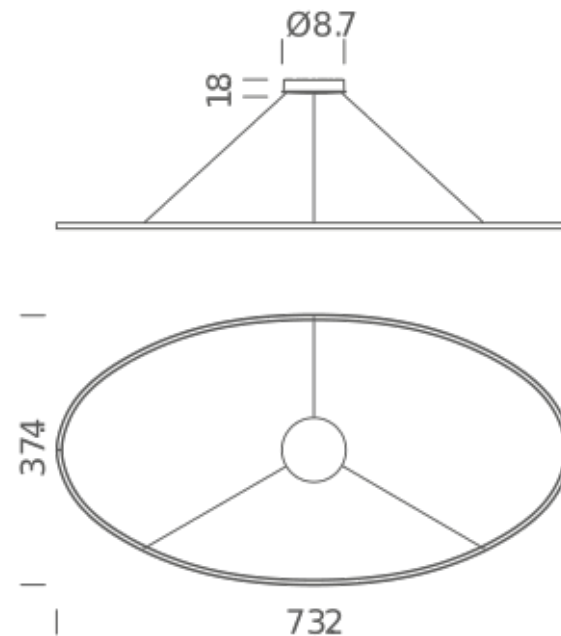
white
black
gold painted

PACKAGE

Package 01

Dimension: 5.5 x 39.8 x 79.1 inches / Gross weight: 16.5 lbs

Certificazioni



UPLIGHT | 3000K

LAMPING

Source	linear LED
Total power	85W
Emission	diffused orientable
Switching	dimnable 1-10V
Tension	120V
Color temperature	3000K
Luminous flux	4425lm (luminous output)
Typ CRI	85
Energy class	A+
IP class	20
Dimensions	73.2 x 37.4 x 8
Materials	Aluminum + PC
Notes	adjustable cable length 8.2' max, DALI version on request

Codes

ELP LWW 58
ELP LNW 58
ELP LOW 58

Structure

white
black
gold painted

PACKAGE

Package 01

Dimension: 5.5 x 39.8 x 79.1 inches / Gross weight: 16.5 lbs

Certificazioni

