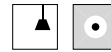



NUVOLE VAGABONDE


ELIO E EMILIANA MARTINELLI, 2009

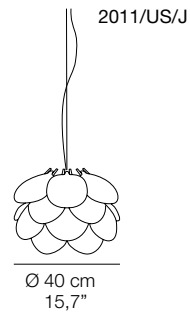


The diffuser of the NUVOLE VAGABONDE contains 30 elements in opal white polycarbonate which are superimposed together creating a delicate flower-like appearance. The design inspiration comes from willing to propose the lightness of a cloud where the light filters in a game of light and shadows created by the overlapping of diffusion elements and where the dream finds its origins and the space to appear and disappear again.

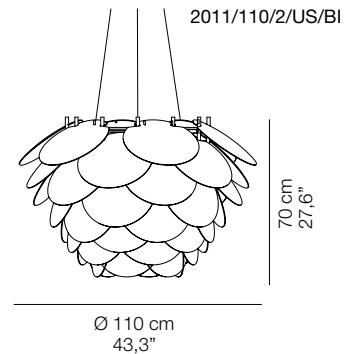
The Nuvole Vagabonde can be used as an individual fixture or grouped together to create an eye-catching lighting feature.

2011/US/J 1 X 14W E26 LED  A+

2011/110/2/US/BI 4 X 14W E26 LED  A+



Weight:
6,6 lbs – 3,5 kg



Weight:
44 lbs – 20 kg



