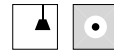


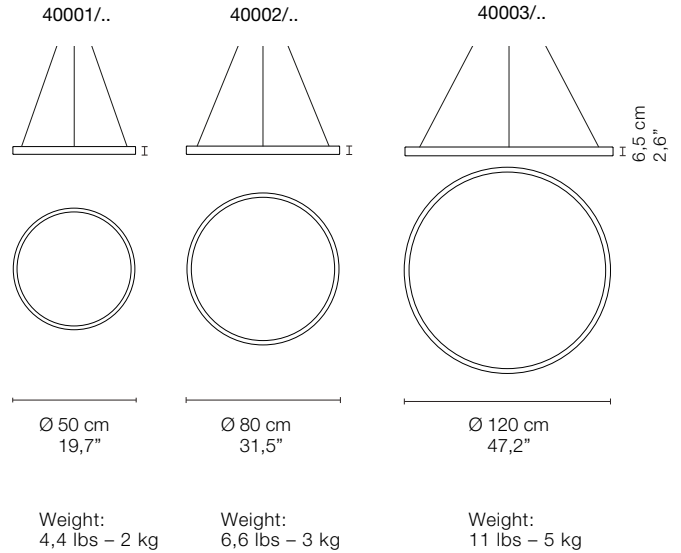
# LUNAOP

EMILIANA MARTINELLI, 2005-2015



A ring of light, slight suspended in the space, designed to provide a minimal visual impact.

An exterior frame in white lacquered aluminum highlights its profile and an inner white opal methacrylate band provides both indirect and direct light with LED light source. Power supply source integrated into the metal canopy. Available in three different diameters: 50 cm, 80 cm and 120 cm and four different metal finishes: white, black, gold and copper.



- 40003/2700/US/... 96W LED 8400 lm 2700K ● LED A++
- 40003/3000/US/... 96W LED 8400 lm 3000K ● LED A++
- 40003/4000/US/... 96W LED 8400 lm 4000K ● LED A++
  
- 40002/2700/US/... 72W LED 5600 lm 2700K ● LED A++
- 40002/3000/US/... 72W LED 5600 lm 3000K ● LED A++
- 40002/4000/US/... 72W LED 5600 lm 4000K ● LED A++
  
- 40001/2700/US/... 48W LED 3700 lm 2700K ● LED A++
- 40001/3000/US/... 48W LED 3700 lm 3000K ● LED A++
- 40001/4000/US/... 48W LED 3700 lm 4000K ● LED A++



- |  |  |  |  |
|--|--|--|--|
| 40003/2700/US/BI<br>40002/2700/US/BI<br>40001/2700/US/BI | 40003/2700/US/NE<br>40002/2700/US/NE<br>40001/2700/US/NE | 40003/2700/US/AU<br>40002/2700/US/AU<br>40001/2700/US/AU | 40003/2700/US/CU<br>40002/2700/US/CU<br>40001/2700/US/CU |
| 40003/3000/US/BI<br>40002/3000/US/BI<br>40001/3000/US/BI | 40003/3000/US/NE<br>40002/3000/US/NE<br>40001/3000/US/NE | 40003/3000/US/AU<br>40002/3000/US/AU<br>40001/3000/US/AU | 40003/3000/US/CU<br>40002/3000/US/CU<br>40001/3000/US/CU |
| 40003/4000/US/BI<br>40002/4000/US/BI<br>40001/4000/US/BI | 40003/4000/US/NE<br>40002/4000/US/NE<br>40001/4000/US/NE | 40003/4000/US/AU<br>40002/4000/US/AU<br>40001/4000/US/AU | 40003/4000/US/CU<br>40002/4000/US/CU<br>40001/4000/US/CU |
- white                      black                      pearl gold                      copper