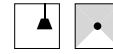


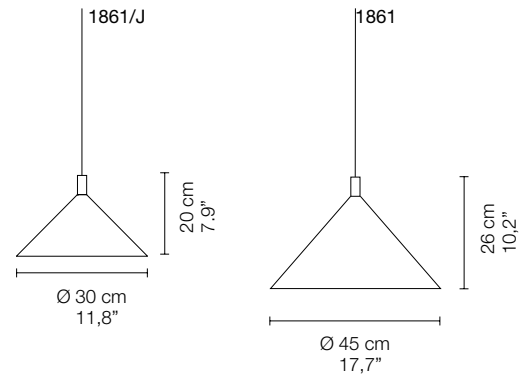
# CONO

ELIO MARTINELLI, 1980



The "funnel" shape diffuser of the CONO produces direct light emission.

The structure is painted aluminum. The diffuser is available in four colors: white, purple red, green pistachio and copper. Internal reflector painted white. The diffuser is available in two sizes: 30 cm and 45 cm



Weight:  
4,4 lbs – 2 kg

Weight:  
6,6 lbs – 3 kg

1861/US/... 1 X 12W E26 LED A+

1861/J/US/... 1 X 12W E26 LED A+



## Cono

design Elio Martinelli

Suspension lamp, direct light, lacquered aluminium structure.

Suspension cable 3,5 m

Available in two sizes.



|              |           |   |                 |               |  |
|--------------|-----------|---|-----------------|---------------|--|
| 1861/US/BI   | Ø 45 H 26 | 3 | white           | 1x15W E26 LED |  |
| 1861/US/NE   | Ø 45 H 26 | 3 | black           | 1x15W E26 LED |  |
| 1861/US/BL   | Ø 45 H 26 | 3 | blue            | 1x15W E26 LED |  |
| 1861/US/RO   | Ø 45 H 26 | 3 | purple red      | 1x15W E26 LED |  |
| 1861/US/VE   | Ø 45 H 26 | 3 | pistachio green | 1x15W E26 LED |  |
| 1861/J/US/BI | Ø 30 H 20 | 2 | white           | 1x10W E26 LED |  |
| 1861/J/US/NE | Ø 30 H 20 | 2 | black           | 1x10W E26 LED |  |
| 1861/J/US/BL | Ø 30 H 20 | 2 | blue            | 1x10W E26 LED |  |
| 1861/J/US/RO | Ø 30 H 20 | 2 | purple red      | 1x10W E26 LED |  |
| 1861/J/US/VE | Ø 30 H 20 | 2 | pistachio green | 1x10W E26 LED |  |

