



Jaima

Joan Gaspar

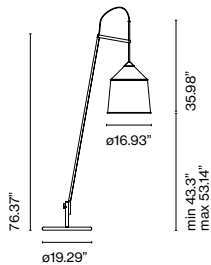
marset

 **illuminaitions**

425 Peachtree Hills Ave. NE #3 Atlanta, GA 30305
404.876.1064 sales@illumco.com



Jaima P207 + Shade 43



Jaima P207 + Shade 43
LED COB 15W 2700 CRI90
1092lm (included)

Shade made of textielene with the inner part always in white. Stainless steel structure in lacquered grey.

Jaima P307 + Shade 54
LED COB 15W 2700 CRI90
1092lm (included)

- Blue
- Beige
- Grey
- Green

Jaima P307 + Shade 71
LED COB 15W 2700 CRI90
1092lm (included)



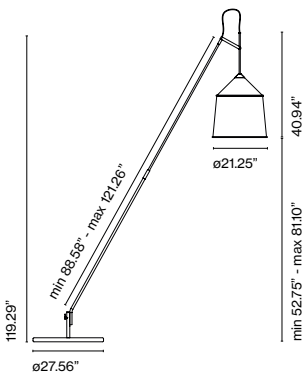
dimmable

* Under approval process.

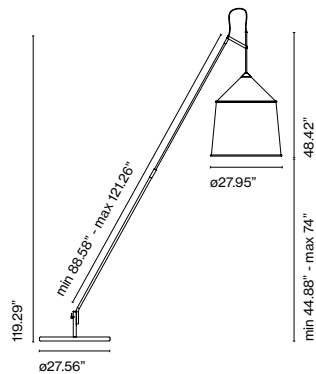
Black electrical cord

Suitable for wet locations

Jaima P307 + Shade 54



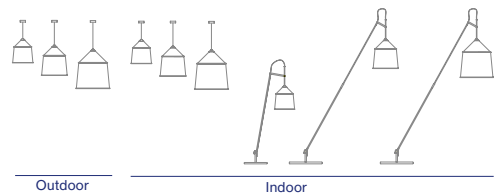
Jaima P307 + Shade 71



Watch the video

info@marset.com
www.marset.com

Collection

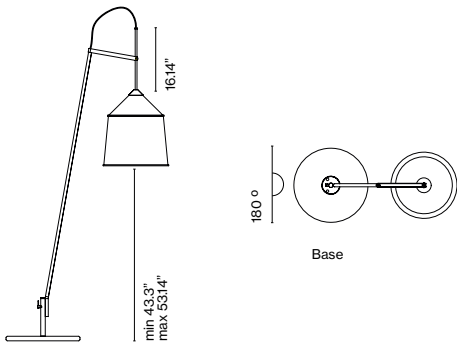


Through the language of textiles, Joan Gaspar has designed a light c that sifts the light as readily as it moves with the wind. In the Jaima shade and weaver of emotions.

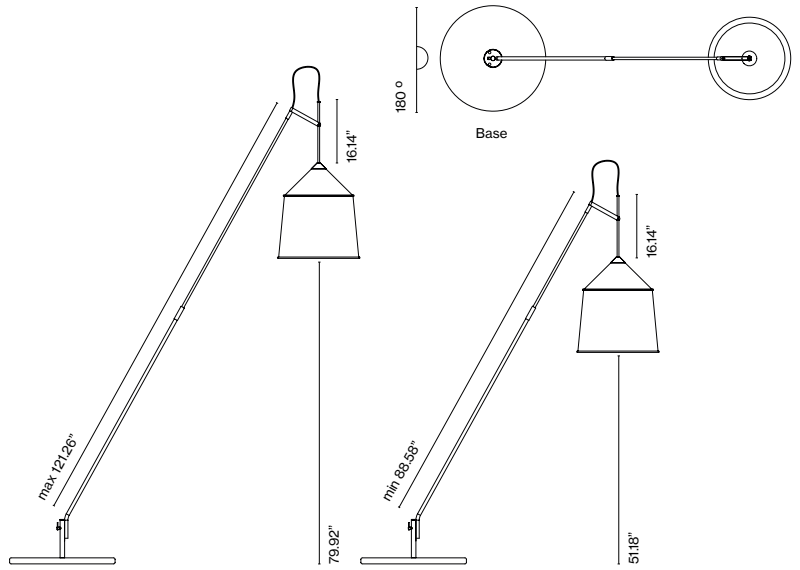
illuminations
425 Peachtree Hills Ave. NE #3 Atlanta, GA 30305
404.876.1064 sales@illumco.com

Range of positions

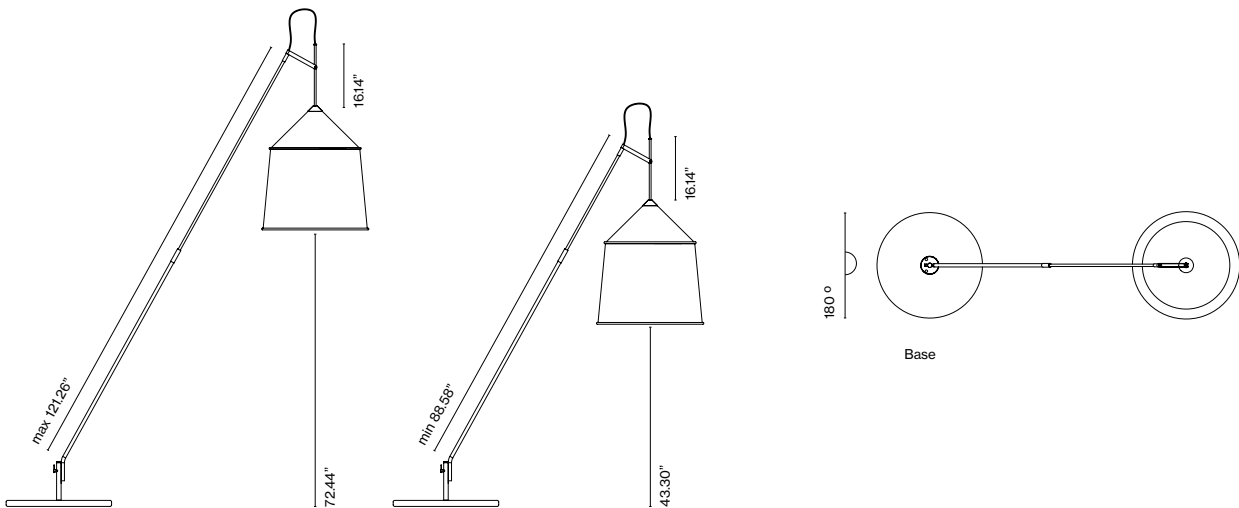
Jaima P207 with shade 43



Jaima P307 extensible with shade 54



Jaima P307 extensible with shade 71



Base



Floor support



Wall bracket

