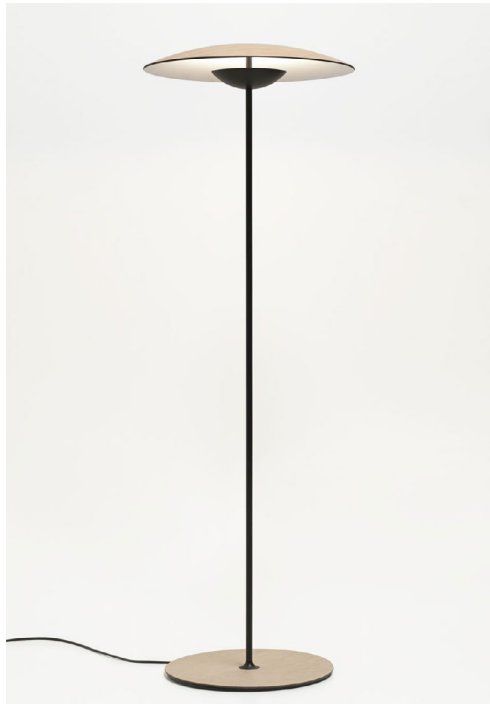




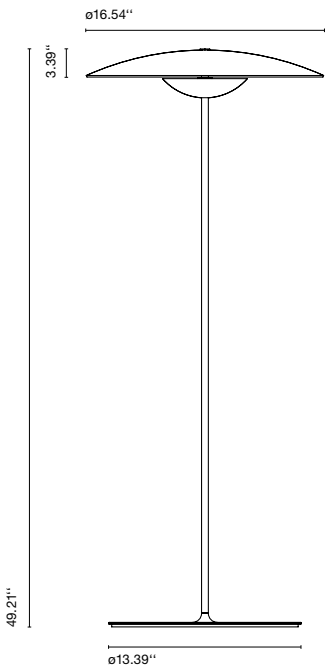
LED-Ginger

Joan Gaspar

marset



LED-Ginger P



LED-Ginger P

Light Source:
LED SMD 700mA 16.28W
2700K CRI90 1873lm

Luminaire:
90 - 264 VAC 698lm

LED included

- Oak
- Wenge

120 V - 60 Hz

Cable length 6.6ft

Black electrical cord

Diffuser and pressed wood base of 0.16" in natural oak or wenge. Injected aluminum dissipater and lacquered black matte metal stem.



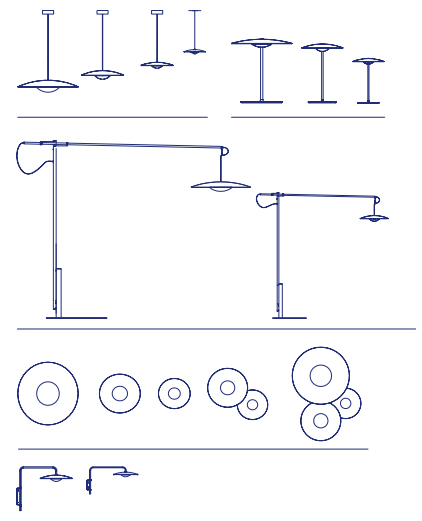
Dry locations only



* Progressive dimmer

- [Download](#) Assembly Instructions
- [Download](#) Photometric Data
- [Download](#) 2D
- [Download](#) 3D

Range



Watch the video
marsetusa@marset.com
www.marset.com

⚠ WARNING. California Proposition 65 Warning for California Consumers. This product can expose you to chemicals including wood dust and lead which are known to the State of California to cause cancer or birth defects or other reproductive harm. For more information go to www.P65Warnings.ca.gov

Wood is an old ally of cozy lighting. It is a material that is hard to mold, a challenge that the LED-Ginger collection neatly resolves. The combination of sheets of wood and paper pressed together under high pressure achieves a laminate that appears almost entirely flat.

How LED-Ginger illuminates

LED-Ginger P

