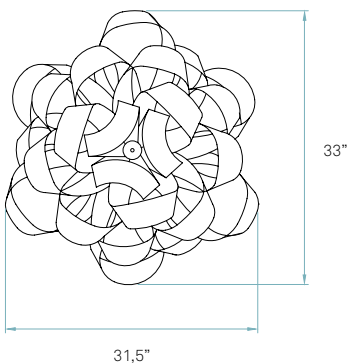
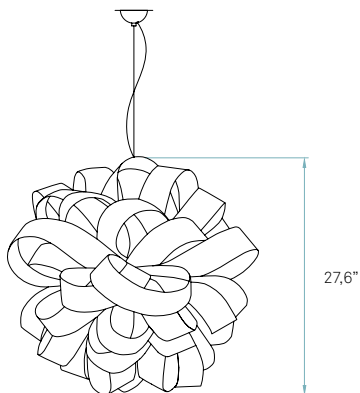


Agatha / SUSPENSION BALL

by Luis Eslava Studio



REF. ATA SB 20
Agatha Ball



References



ATA SB E26 UL
ATA SB GU24 UL

Awards



HD Las Vegas 2011



World Architecture Award 2011

Certificates



120 - 277V



Wood shade colors

- 20 Ivory White
- 22 Natural Beech
- 24 Yellow
- 25 Orange
- 32 Pink

Note:
Due to the density of the veneer layers we have suggested colors that give the best light transmission.

Components



Metal canopy
Brushed Nickel
ø 3,9" - disc ø 5,5"

Electrical cable
Transparent
8 ft drop

Steel cable
8 ft drop



Box size
30 x 30 x 30"
Internal wooden crate

Box volume
15,7 ft³

Weight
Gross - 34,8 Lb
Net - 7,9 Lb

Recommended bulbs (Not Included)



E26 Medium Base



CFL Mini Globe
6 x 11 W max



LED A19
6 x 15 W max



GU24



CFL Mini Globe
6 x 11 W max



LED A19
6 x 15 W max