

ASCENT

design Daniel Rybakken, 2013

**LUCE
PLAN**

Type: Table

Light source: LED 11W⁽¹⁾ 2700K CRI 90
324 lm (delivered)
dimmer on board

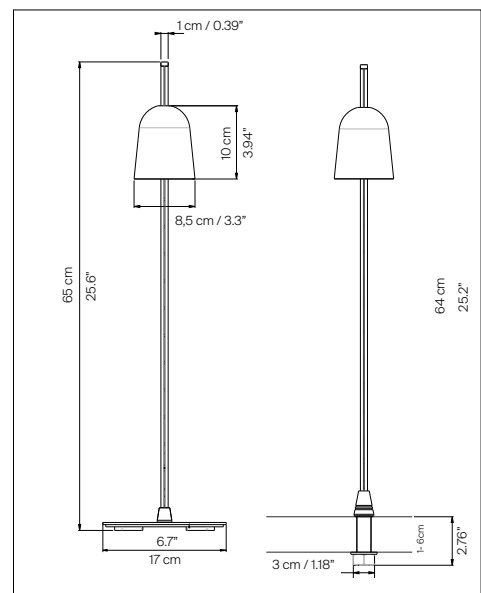
Product use: Indoor

Materials: Material lathed head in aluminium sheet, entirely anodized with aluminium tone, painted black on the outside. Stem in black technopolymer. Base in black painted steel. Table bolt with impact-proof device in black polyurethane rubber.

Colors: Black

Description: A new gesture to turn on and regulate light. Ascent offers many levels of light intensity, with a very precise dimmer located on the stem. The small shade runs vertically up and down to adjust the brightness of the light.


Reference code: D78 1D780=000601
D78 p.t. 1D78OPT00601



⁽¹⁾The LED lamps cannot be changed in the luminaire
Power consumption by device



www.luceplan.com

 **illuminaitions**
425 Peachtree Hills Ave. NE #3 Atlanta, GA 30305
404.876.1064 sales@illumco.com