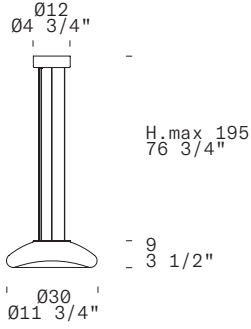


**KEYRA S 30 - INDOOR**  
Roberto Paoli, 2011



North America

**LEUCOS®**



TECHNICAL SHEET

**MATERIALS** Diffuser: Blown Glass  
Structure: Metal

**DIMENSIONS & WEIGHT** Diffuser: 011 3/4" H 3 1/2" [031cm H 9cm]  
Canopy: 04 3/4" [012cm]  
Max cable lenght: 74 3/4" [190cm]  
Weight: 3,9 lbs

**FINISHES (DIFFUSER / STRUCTURE)** Transparent-Satin White / Glossy White



**LIGHT SOURCE** LED 1 x 12W 1000 lm (nominal) 3000K  
Voltage: 120/277V

**CERTIFICATIONS DRY LOCATION**  

FINISH	SOURCE	CODE	QTY	TYPE
Transparent-Satin White / Glossy White	3000K LED	0002305		

<b>PROJECT NAME</b>	
<b>SPECIFIER NAME</b>	

Bottom view



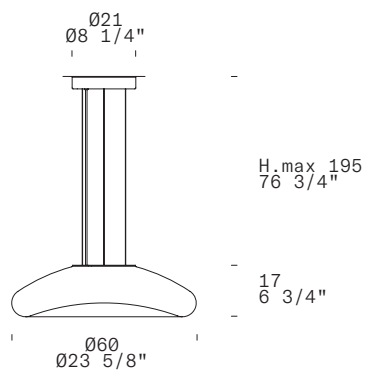
We reserve the right to change our product specifications.  
Please visit [www.leucos.com](http://www.leucos.com) for the latest product information

11 Mayfield Avenue  
Edison, New Jersey 08837 - USA  
Tel 001 732 225-0010



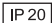
<https://www.leucos.com>  
[info.us@leucos.com](mailto:info.us@leucos.com)

**KEYRA S 60 - INDOOR**

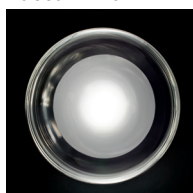
Roberto Paoli, 2011



## TECHNICAL SHEET

<b>MATERIALS</b>	Diffuser: Blown Glass Structure: Metal
<b>DIMENSIONS &amp; WEIGHT</b>	Diffuser: Ø23 5/8" H 6 3/4" [Ø60cm H 17cm] Canopy: Ø8 1/4" [Ø21cm] Max cable lenght: 74 3/4" [190cm] Weight: 23,6 lbs
<b>FINISHES (DIFFUSER / STRUCTURE)</b>	Transparent-Satin White / Gloss White 
<b>LIGHT SOURCE</b>	LED 2 x 12W 2000 lm (nominal) 3000K CRI≥90 Voltage: 120/277V
<b>CERTIFICATIONS DRY LOCATION</b>	 

Bottom view



North America

**LEUCOS®**

FINISH	SOURCE	CODE	QTY	TYPE
Transparent-Satin White / Gloss White	3000K LED	0002307		
<b>PROJECT NAME</b>				
<b>SPECIFIER NAME</b>				

We reserve the right to change our product specifications.  
Please visit [www.leucos.com](http://www.leucos.com) for the latest product information

11 Mayfield Avenue  
Edison, New Jersey 08837 - USA  
Tel 001 732 225-0010

<https://www.leucos.com>  
[info.us@leucos.com](mailto:info.us@leucos.com)