


TECHNICAL SHEET

MATERIALS	Diffuser: Blown Glass Structure: Metal
DIMENSIONS & WEIGHT	Ø11 ¾" H 4 ⅞" [Ø30cm H 12,5cm] Weight: 3,4 lbs
FINISHES (DIFFUSER / STRUCTURE)	Transparent-Satin White / Gloss White 
LIGHT SOURCE	LED 1 x 8,2W 1119 lm (nominal) 3000K CRI≥90 Voltage: 120V
DIMMING (LED version)	Push-dim; 0/1-10V Phase cut
CERTIFICATIONS	DRY LOCATION IP20



DIMMING	Push-dim; 0/1-10V			
FINISH	SOURCE	CODE	QTY	TYPE
Transparent-Satin White / Gloss White	3000K LED	0012222		

DIMMING	Phase-cut			
FINISH	SOURCE	CODE	QTY	TYPE
Transparent-Satin White / Gloss White	3000K LED	0012220		

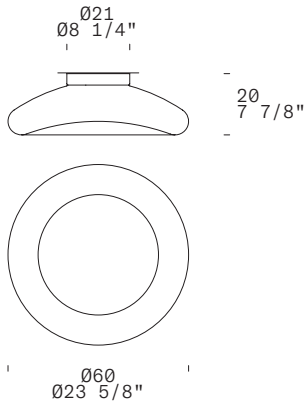
PROJECT NAME	
SPECIFIER NAME	

Wall view Front view






We reserve the right to change our product specifications.
Please visit www.leucos.com for the latest product information

KEYRA P-PL 60 - INDOOR
Roberto Paoli, 2011



TECHNICAL SHEET

MATERIALS	Diffuser: Blown Glass Structure: Metal
DIMENSIONS & WEIGHT	Ø23 5/8" H 20 7/8" [Ø60cm H 20cm] Weight: 22,5 lbs
FINISHES (DIFFUSER / STRUCTURE)	Transparent-Satin White / Gloss White 
LIGHT SOURCE	LED 2 x 12W 2000 lm (nominal) 3000K Voltage: 120/277V
CERTIFICATIONS	DRY LOCATION  

Wall view Front view



North America

LEUCOS®



FINISH	SOURCE	CODE	QTY	TYPE
Transparent-Satin White / Gloss White	3000K LED	0002434		

PROJECT NAME	
SPECIFIER NAME	

We reserve the right to change our product specifications.
Please visit www.leucos.com for the latest product information