

## Voiles Big Surface

Typology: Pendant

Designed by: Celine Wright

Pendant Voiles Big Surface LED 52 2700K Chrome White 120-277V/60Hz

The Voiles' Japanese Washi paper gives the piece a lightness that allows constant movement. Together they create a poetic living piece that makes any space more beautiful.

### Technical features

Lampholder: LED

Total power consumption of light (W): 52

Delivered lumens: 4032

Correlated Colour Temperature (CCT):

LED warm-white 2700K

Structure Material: Steel

Structure Finish: Chrome

Diffuser Material: Japanese paper

Diffuser Finish: White

Voltage / Frequency: 120-277V/60Hz

Useful life: 50,000h L80B20

Dimming protocol: 0-10V / REVERSE PHASE

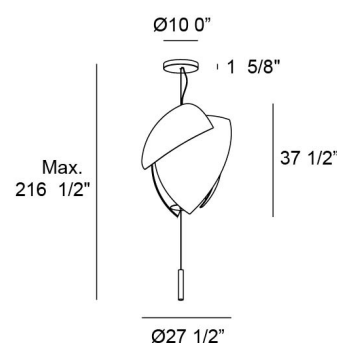
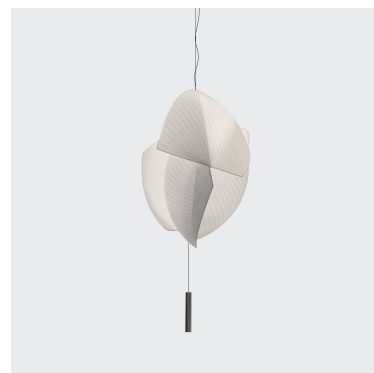
Warranty: 5 years

### Logistics

DRY CRI90



Export date: 02/17/23



Images do not show North American backplate