

Caprice ø20 1/2"

Typology: Ceiling fixture

Ceiling fixture Caprice ø20 1/2" LED 40 SW 2700-3000-4000K PHASE CUT/O-10V/ELV White 3048lm

Caprice offers a variety of advanced functions in a decorative product that adapts to environments with high lighting requirements.

Technical features

Lampholder: LED

Total power consumption of light (W): 40

Delivered lumens: 3048 (3000K)

Correlated Colour Temperature (CCT):

SW 2700-3000-4000K

Lens / Reflector Angle: HORIZONTAL 114°

Structure Material: Steel

Structure Finish: White

Diffuser Material: Acrylic

Diffuser Finish: White

Voltage / Frequency: 120-277V/60Hz

Useful life: 50,000h L80B20

Dimming protocol: PHASE CUT/O-10V/ELV

Warranty: 5 years

Lampholder	Quantity	Light source power (W)
LED	1	36W

Logistics

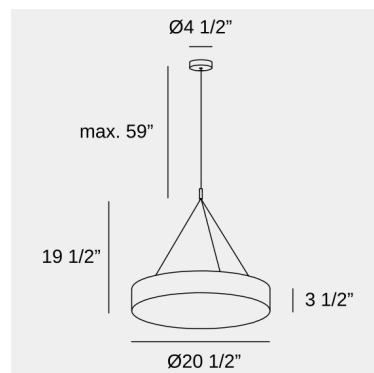
Net weight (lb): 9

Packaged weight (lb): 17

Packaging (in): 24 3/4" x 25" x 10 3/8"

DRY CRI90   

Export date: 10/06/23



Images do not show North American backplate