



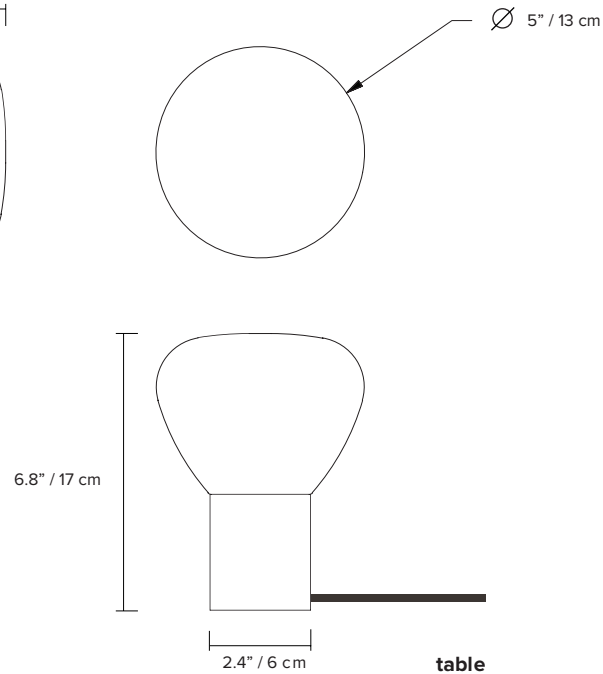
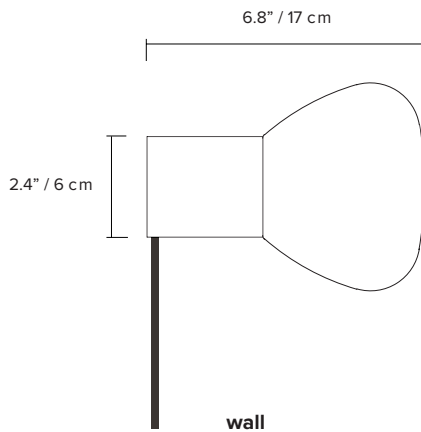




PARC 01

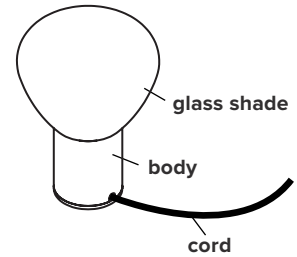
Parc is a collection inspired by childhood imagination and the essentiality of homemade forms — created in collaboration with Swiss designer Adrien Rovero. Evoking the archetype of a flashlight, each lamp of the Parc Collection is a playful reminder of time spent in nature, when a simple tube and piece of string could be used to fashion any number of creations. These makeshift things, at once naive and functional, harness the unique beauty of peeling an object back to its essence.

- type:** wall and table
- construction:** hand blown frosted glass
powder coated aluminum body
vinyl cord
- specifications:** source: LED lamp provided (G9 base)
power consumption: 4,5W
lumen output: 319lm
colour temperature: 2700K included
*3000K available upon request
colour rendering index: 80 CRI standard
* ≥ 90 CRI upon request
expected lifetime: 25 000h
- control:** refer to our recommended list of dimmer models
- cord length:** 96" / 244 cm, hand switch at 18"/46 cm from lamp
144" / 366 cm, foot switch at 72"/183 cm from lamp
- weight:** 2.2lb / 1kg
- certifications:**     IP20
- warranty:** 2 years

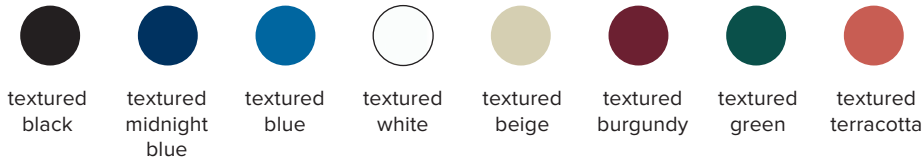


ORDER GUIDE: SKU

<u>COLLECTION</u>	<u>MODEL</u>	<u>BODY</u>	<u>CORD*</u>	<u>SWITCH</u>	
PRC parc	01	BK black	BK black	HD hand	
		MB midnight blue	WH white	FT floor	
		BE blue			
		WH white			
		BG beige			
		BU burgundy			
		GN green			
		TC terracotta			
PRC	01	BK	BK	HD	= PRC01BKBKHD
					example



FINISH (*polyester cords also available in all colours upon request, except terracotta)



* cords only available in black or white in Australia

NOTES:

- not protected against liquids (refer to IP20)
- additional charges for modifications or for special orders
- please refer to maintenance sheet on website for cleaning instructions

DIMMER SPECIFICATIONS

DIMMER LIST COMPATIBILITY FOR G9 LED BULBS – 120V

The dimming technology offering the best results is ELV (electronic low voltage) dimmers with reverse phase or trailing edge control.

DIMMER BRAND	MODEL NUMBER	MIN LEVEL	MAX LEVEL	FLICKERING	OVERALL QUOTE
LUTRON - MAESTRO	MAELV-600	0%	100%	0%-10%	good
LUTRON - SKYLARK	SELV-300P	0%	100%	no	very good
LUTRON - SKYLARK	SELV-303P	0%	100%	no	very good
LUTRON - SKYLARK	CTELV-303P	0%	100%	no	very good
LUTRON - DIVA	DVELV-300P	0%	100%	no	very good
LEGRAND - ADORNE	TRUE UNIVERSAL	30%	100%	no	good

DIMMER LIST COMPATIBILITY FOR G9 LED BULBS – 230V

DIMMER BRAND	MODEL NUMBER	MIN LEVEL	MAX LEVEL	FLICKERING	OVERALL QUOTE
VARILIGHT	V-PRO	2%	100%	no	very good
LEGRAND - NILOÉ	3 996 35	15%	87%	no	good
NIKO	310-0280X	5%	94%	no	very good
NIKO	310-0190X	1%	100%	no	very good

*Other dimmers can yield good results and we recommend conducting your own test before final installation.

EU ENERGY LABEL

