


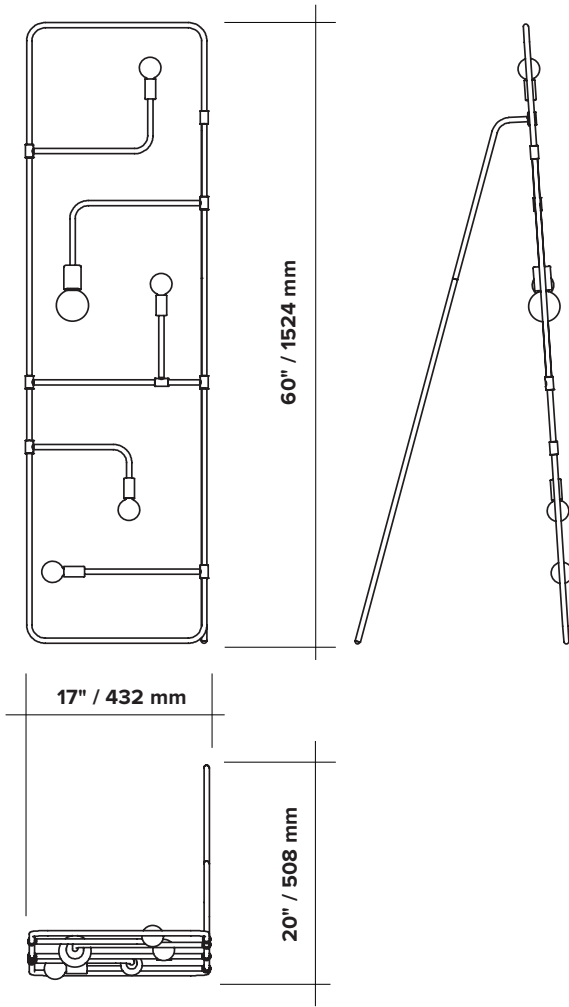
## BEAUBIEN



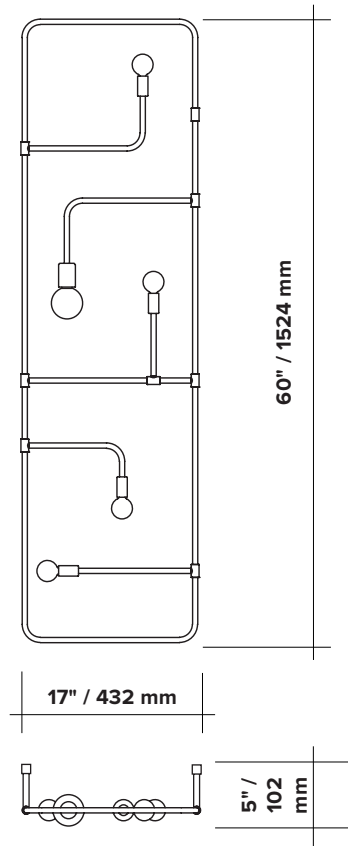
<b>type</b>	ceiling (CE), floor (FL) and wall (WA)	
<b>materials</b>	body :	powdercoated steel and aluminium or brass
	hardware :	brass
	sphere :	milk glass (G50 + G80)
	chains :	brass (CE)
	wire:	nylon/polyester
<b>wire length</b>	120" / 3048 mm footswitch positioned at 60" from body	
<b>weight</b>	starting at 7.5 lb / 3.4 kg	
<b>light bulb</b>	LED (included), 1 x 4,5W + 3 x 3,5W	
<b>sockets</b>	G9	
<b>voltage</b>	120V / 240V	
<b>dimmer</b>	For ceiling installation only refer to our recommended list of dimmer models	
<b>certifications</b>		
<b>notes</b>	– additional charges for modifications or for special orders – lead time between 8-9 weeks – dimensions are approximate and may vary slightly	



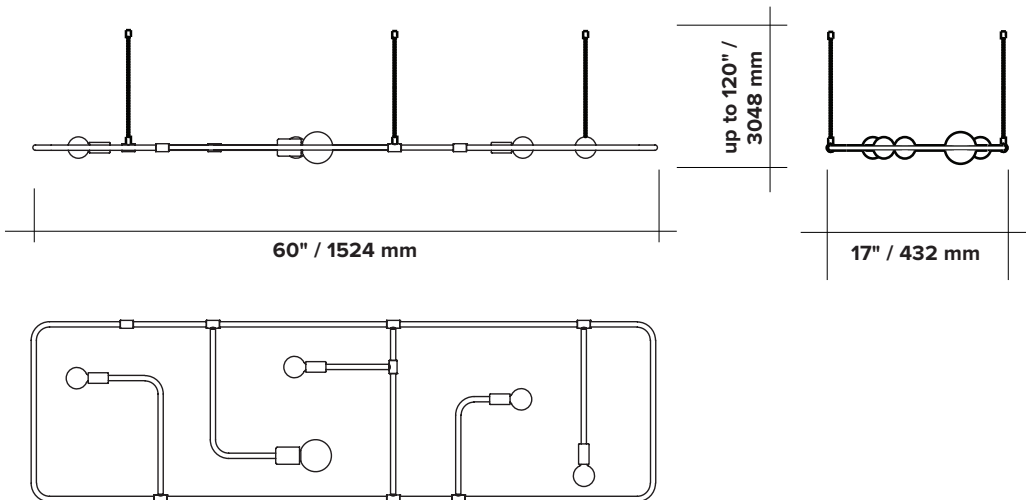
## FLOOR



## WALL



## CEILING

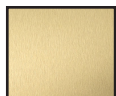


COLLECTION	MODEL	INSTALLATION
BEA beaubien	01	FL floor
		WASW wall softwire
		WAHW wall hardwire
BEA	01	FL

FINISH (body/hardware)	
BLBR	black body/brass hardware
BLGR	black body/graphite hardware
BRBR	brass body/brass hardware

BLBR = BEA01FLBLBR  
example

## FINISH



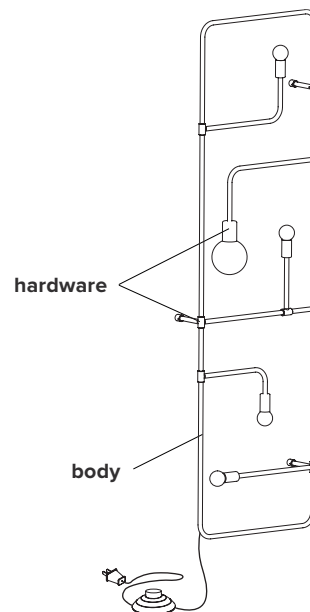
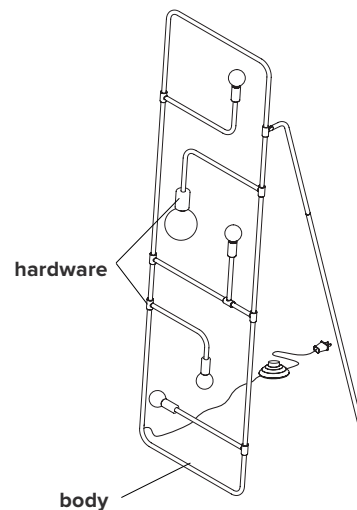
brass



flat black



graphite



<u>COLLECTION</u>	<u>MODEL</u>	<u>INSTALLATION</u>	<u>FINISH (body/hardware/canopy)</u>
BEA beaubien	01	CE ceiling	<b>BLBRBLBL</b> black body/brass hardware/black wire/black canopy <b>BLBRBLWH</b> black body/brass hardware/black wire/white canopy <b>BLGRBLBL</b> black body/graphite hardware/black wire/black canopy <b>BLGRBLWH</b> black body/graphite hardware/black wire/white canopy <b>BRBRBLBR</b> brass body/brass hardware/black wire/brass canopy <b>BRBRBLWH</b> brass body/brass hardware/black wire/white canopy
BEA	01	CE	<b>BLBRBLBL = BEA01CEBLBRBLBL</b> <i>example</i>

## FINISH

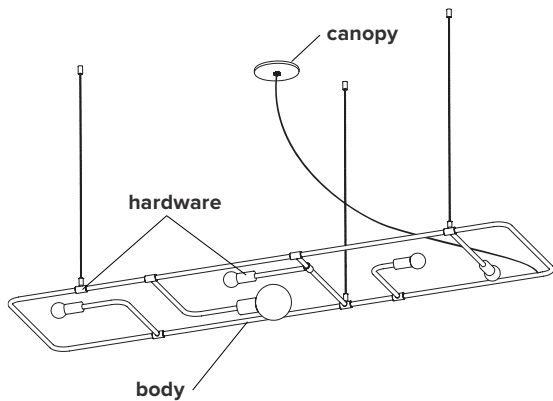


brass flat black graphite

## CANOPY COLOR

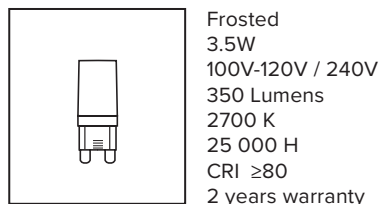
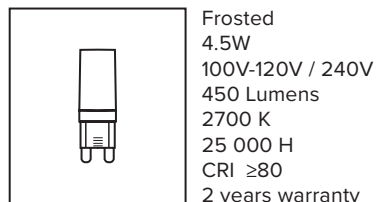


brass flat black flat white

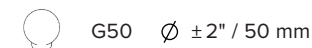


## LIGHT BULB

### G9 SOCKETS



### SPHERES



## & DIMMER SPECIFICATIONS (CEILING INSTALLATION ONLY)

### DIMMER LIST COMPATIBILITY FOR G9 LED BULBS – 120V

The dimming technology offering the best results is ELV (electronic low voltage) dimmers with reverse phase or trailing edge control.

<u>DIMMER BRAND</u>	<u>MODEL NUMBER</u>	<u>MAX LEVEL</u>	<u>MIN LEVEL</u>	<u>FLICKERING</u>	<u>OVERALL QUOTE</u>
LUTRON - MAESTRO	MAELV-600	100%	0%	0%-10%	good
LUTRON - SKYLARK	SELV-300P	100%	0%	no	very good
LUTRON - SKYLARK	SELV-303P	100%	0%	no	very good
LUTRON - SKYLARK	CTELV-303P	100%	0%	no	very good
LUTRON - DIVA	DVELV-300P	100%	0%	no	very good
LEGRAND - ADORNE	TRUE UNIVERSAL	100%	30%	no	good

### DIMMER LIST COMPATIBILITY FOR G9 LED BULBS – 230V

<u>DIMMER BRAND</u>	<u>MODEL NUMBER</u>	<u>MAX LEVEL</u>	<u>MIN LEVEL</u>	<u>FLICKERING</u>	<u>OVERALL QUOTE</u>
VARILIGHT	V-PRO	100%	2%	no	very good
LEGRAND - NILOÉ	3 996 35	87%	15%	no	good
NIKO	310-0280X	94%	5%	no	very good
NIKO	310-0190X	100%	1%	no	very good

\*Other dimmers can yield good results and we recommend conducting your own test before final installation.