

# PORCAMISERIA wall lamp

Matteo Ugolini design

year 2014

## TECHNICAL SHEET - AP656B

### STRUCTURE "A"

material ceramic  
colour matt white



### ELECTRICAL CABLE

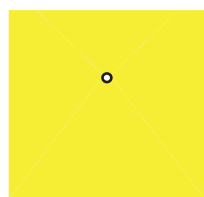
socket E26/E27  
source max 5x28w  
energy class from E to A++





### PACKAGING

nr.of collis 1  
net weight/kg 3,5  
gross weight/kg 7  
packaging/cm 50x50x50

### EMISSION OF LIGHT

one directional



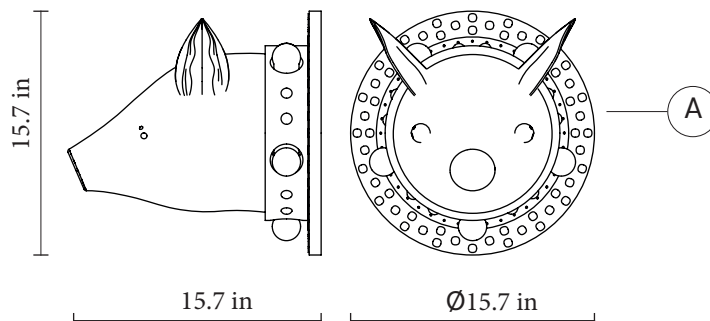
 direct  
 filtered  
 indirect  
 none

### CERTIFICATION

IEC 60598-1:2008  
EN 60598-1:2008 + A11:2009



IP rate IP20  
bulb not provided



  
425 Peachtree Hills Ave. NE #3 Atlanta, GA 30305  
404.876.1064 sales@illumco.com