

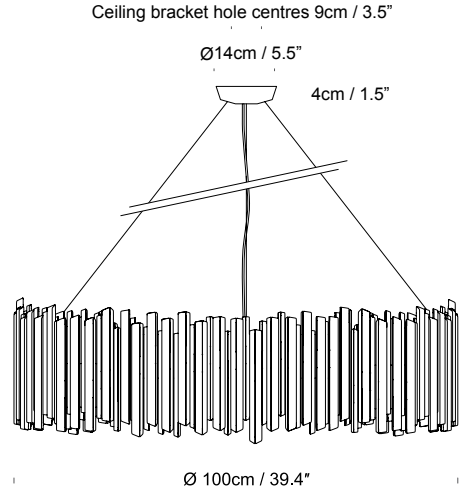
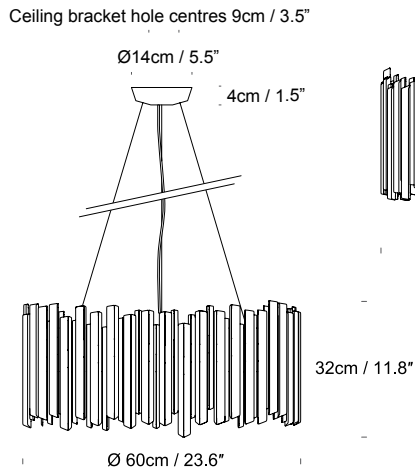
**Product Category** Pendant  
**Material** Stainless Steel, Brass

\*supplied with lightsource

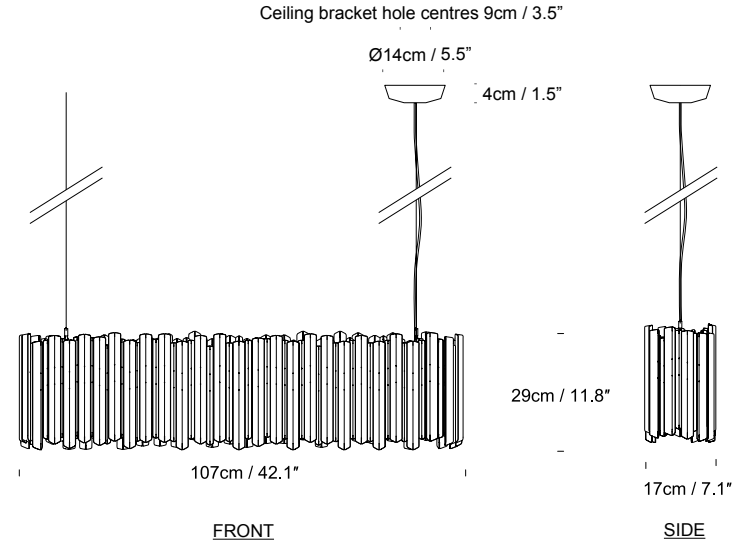
03- Polished Stainless Steel/ 30- Brass



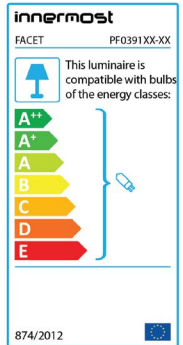
**Facet 60**  
 UK/EU PF039140XX  
 USA PF039340XX



**Facet 100**  
 UK/EU PF039160XX  
 USA PF039360XX



**Facet LOZENGE 107**  
 UK/EU PF039161XX  
 USA PF039361XX



SPECIFICATION	Lightsource	Cable	Ceiling Rose	Other
<b>Facet 60</b> UK/EU PF039140XX USA PF039340XX	12 X G9 Recommended bulb: For 60, 100 and Lozenge use LED bulbs of around 300 - 350 Lumens output, dimmable	4m/ 157.5" Clear Cable	Colour matches pendant colour	Heavy product, handle with caution
<b>Facet 100</b> UK/EU PF039160XX USA PF039360XX	24 X G9 Recommended bulb: For 60, 100 and Lozenge use LED bulbs of around 300 - 350 Lumens output, dimmable	4m/ 157.5" Clear Cable	Colour matches pendant colour	Heavy product, handle with caution
<b>Facet LOZENGE 107</b> UK/EU PF039161XX USA PF039361XX	6 X G9 Recommended bulb: For 60, 100 and Lozenge use LED bulbs of around 300 - 350 Lumens output, dimmable	4m/ 157.5" Clear Cable	Colour matches pendant colour	Heavy product, handle with caution

\*\*\*  
 Temperature 2700K or below is recommended as the optimum for this fixture.

# Facet by Tom Kirk

innermost®

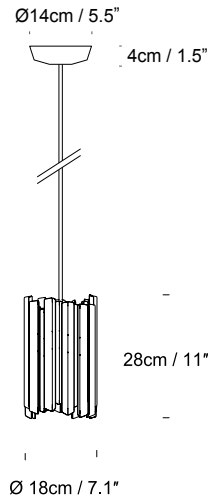
**Product Category** Pendant/ Wall Light  
**Material** Stainless Steel, Brass

\*supplied with lighthsource

03- Polished Stainless Steel/ 30- Brass

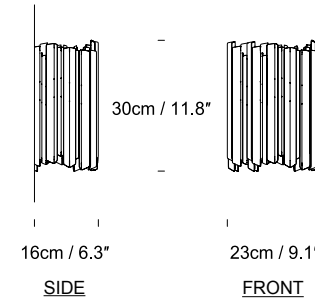


Ceiling bracket hole centres 9cm / 3.5"

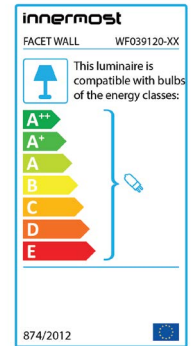
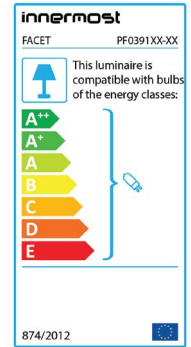


**Facet** 18  
 UK/EU PF039110XX  
 USA PF039310XX

Wall fixture Hole Centres 8.4cm / 3.3"



**Facet** WALL  
 UK/EU WF039120XX  
 USA WF039320XX



SPECIFICATION	Lightsource	Cable	Ceiling Rose
<b>Facet</b> 18 UK/EU PF039110XX USA PF039310XX	G9 Recommended bulb: G9 LED Bulb up to 350 Lumen output, dimmable.	4m/ 157.5" Clear Cable	Colour matches pendant colour
<b>Facet</b> WALL UK/EU WF039120XX USA WF039320XX	2 X G9 Recommended bulb: G9 LED Bulb up to 350 Lumen output, dimmable.	N/A	N/A

\*\*\*  
 Temperature 2700K or below is recommended as the optimum for this fixture.