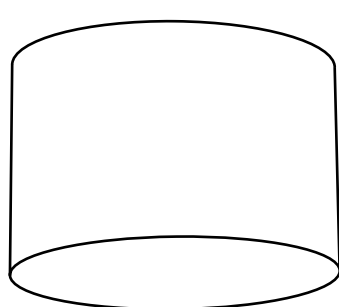
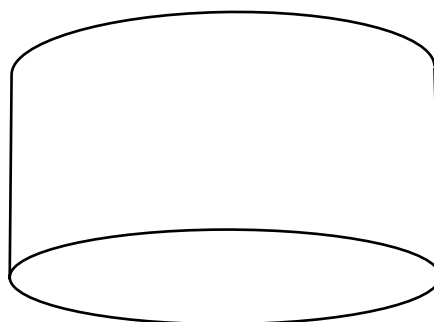




Ceiling Round



18 x 11.8



23.6 x 11.8

Sizes in (DxH)

All our round shades can be used with our CME ceiling mounted fitting and will have a 6cm gap between the shade and the ceiling.

We do however make these 2 sizes to be flush to the ceiling if height is critical.

Diffusers for ceiling mounted shades will have a small hole to aid installation.



illuminations

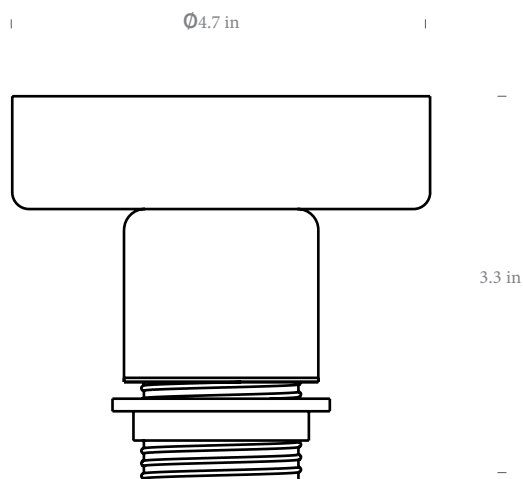
425 Peachtree Hills Ave. NE #3 Atlanta, GA 30305
404.876.1064

sales@illumco.com

CME

We designed our CME ceiling fitting to enable lampshades to be used in spaces with low ceiling heights. There is just a 6cm gap between the shade and the ceiling when used with our standard round shades. For those that prefer the shade flush with the ceiling we have 2 standard sizes for this, see page 55 for details.

Diffusers for shades used with this fitting come either in expanded white vinyl or clear prismatic acrylic and have a small central hole to aid installation. In addition, the 20cm glass globe diffuser can be used with this fitting.



Materials : Stainless Steel

Colour : White / Satin Nickel

Lightsource : E27 Max 15W LED (not included)

Recommended Bulb : LED bulbs 400 - 1000 lumen output and from 2700K

USA Spec available on request

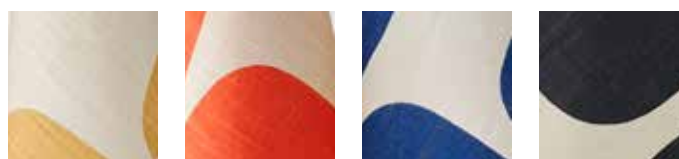
Innermost recommends:

Pair with a diffuser to complete the shade for best effect.



Scion Lohko Cotton linen

Scion is a very British fabric brand which is part of the house of Harlequin. Their Scandi-inspired Lohko design is one of our most popular with its oversized abstract retro-contemporary design, which is available in 4 bold colourways.



Honey

Paprika

Indigo

Liquorice

Suitable for all round shapes and sizes, see page 4 for details.

Materials : Cotton Linen

Acoustic Absorbancy : ●●●●●

Price category : D

Innermost recommends:
Perfect for all round shapes.