

**Monaco**  
**Metro Series**  
**MON**

Project Name \_\_\_\_\_

Fixture Type \_\_\_\_\_

Quantity \_\_\_\_\_

Norwell Lighting

I L E X

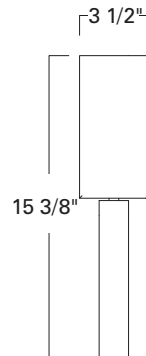
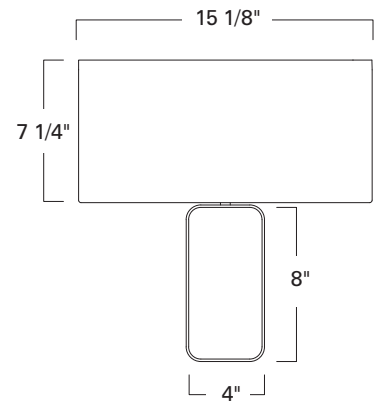
Custom Metalcraft



Monaco  
 MON-SB-WS

MON

Top view



LED

Product Name / Model / Dimensions				Finish Options	Diffuser	Lamping Options
Monaco Metro Sconce - MON				Standard Matte Black / MB Satin Brass / SB	Standard White Shade / WS	Standard LED 4000lm, 3000K CCT, 90 CRI, 31 Watt 0-10VDC; Triac; ELV dimming
	Height	Width	Projection			
MON	15.375"	15.125"	3.5"			

Dry Location and UL/ETL Listed

REV-12-2021

**DISCLAIMER:**

Norwell Lighting and its companies, ILEX Architectural Lighting and Custom Metalcraft reserve the right to change specifications related to its product at anytime. USA Made indicates product is manufactured in East Taunton, Massachusetts facility. Phone: 508-823-1751