

Product Name **Astor Double Sconce**

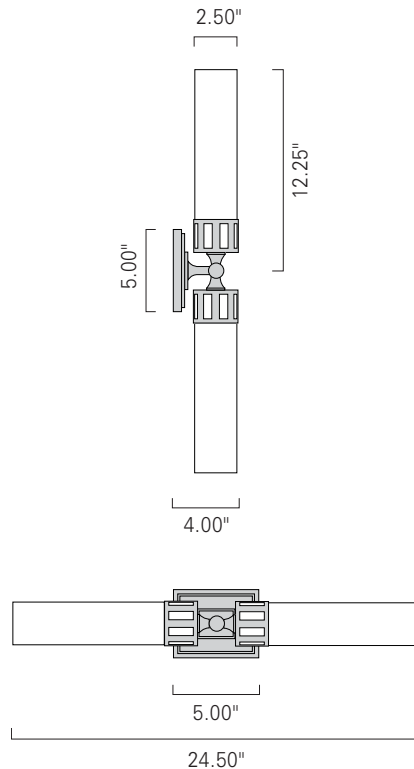
Model Number **ASTD**



Astor Double Sconce ASTD
Shiny Opal / SH
Chrome / CH



The Astor Double mounts vertically or horizontally



Backplate 4" X 5"

IN **CFL** **LED** **ADA**

Product Name / Model / Dimensions	Mounting Options	Diffuser Options	Finish Options	Lamping Options						
Astor Double Sconce / ASTD	Standard Wall Mount / WM	Standard Shiny Opal Glass / SH	Standard Brushed Nickel / BN Polished Nickel / PN Chrome / CH	Standard Incandescent / IN (2) 60W max medium base T-10 Edison Optional Fluorescent / FL (2) FT 13W 2GX7 120v LED / LED 3456lm 3000K CCT ELV dimmable						
<table border="1"> <thead> <tr> <th>Height</th> <th>Width</th> <th>Projection</th> </tr> </thead> <tbody> <tr> <td>24.50"</td> <td>24.50"</td> <td>4.00"</td> </tr> </tbody> </table>	Height	Width	Projection	24.50"	24.50"	4.00"				
Height	Width	Projection								
24.50"	24.50"	4.00"								



The Astor is available in a Single Sconce.

12_2015