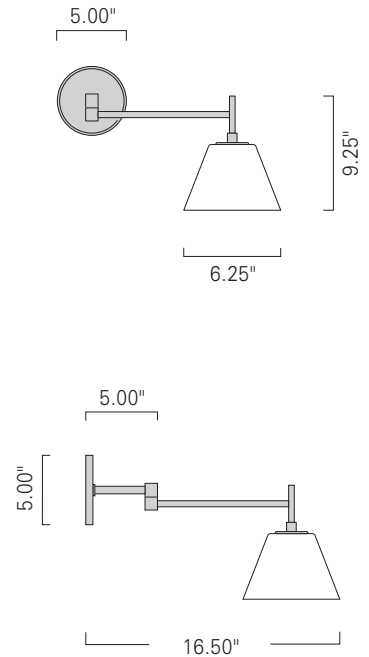


Product Name **Amber Swing Sconce**

Model Number **AMS**



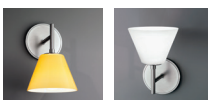
Amber Swing Sconce **AMS**  
Shiny White **SH**  
Brushed Nickel **BN**



IN

Product Name / Model / Dimensions			Mounting Options	Diffuser Options	Finish Options	Lamping Options
Amber Swing Sconce / AMS			<b>Standard</b> Wall Mount/ WM	<b>Standard</b> Amber Glass / AM  Shiny Opal Glass / SH	<b>Standard</b> Architectural Bronze / AB Polished Brass / PB Satin Brass / SB  <b>Premium</b> Brushed Nickel / BN Polished Nickel / PN	<b>Standard</b> Incandescent / IN (1) 60W max candelabra  Globe bulb G161/2
Height	Width	Projection				
9.25"	6.25"	9.25 - 16.50"				

12\_2015



The Amber Sconce AMB nicely complements the Amber Swing, when used as an uplight or downlight.